

CAM		
POSITION	H : GRIP	H : GRIP
	MIN	MAX
UP	35	54
DOWN	57	72

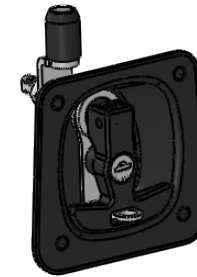
NOTE

MATERIAL

BODY: STEEL  
 HANDLE: ZAMAK ZNAL4CU1  
 CAM : STEEL  
 SCREW: STAINLESS STEEL  
 SEAL : POLYURETHANE

FINISH BODY : BLACK COATED  
 FINISH HANDLE : BLACK COATED

CYLINDER : EUROKEY (5333)



1:4

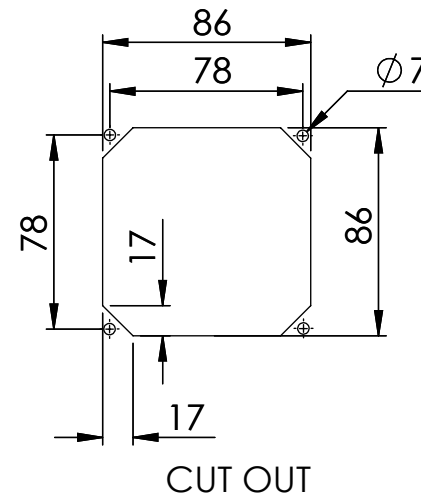
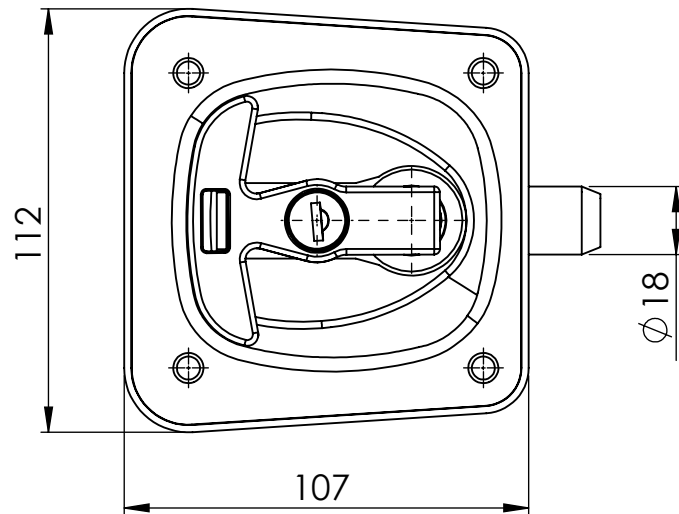


© 2013 Essentra Components. All rights reserved.  
 Registered in England, Company No. 547495.  
 Registered Office: Avebury House,  
 201-249 Avebury Boulevard, Milton Keynes, MK9 1AU

Condition of Sale can be found on our website: [essentra.com](http://essentra.com).

Essentra Components does not warrant that the files will be error free and may create new versions ("Upgrades") at any time, which may correct such errors. Essentra Components has no obligation to notify you of such upgrades. Any upgraded file will be published to the website, when it becomes available.

You are not permitted to load any of the files on to a network server for the purposes of distribution to one or more other computer(s) on that network or to effect such distribution. Essentra Components shall not be liable for any loss or damage whatsoever or however caused, arising directly or indirectly from the use of the files.



UNLESS OTHERWISE STATED

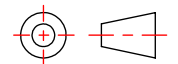
ALL DIMENSIONS IN mm

DO NOT SCALE

LINEAR TOLERANCE

SIZE	(0)	(0.0)	(0.00)
0-10mm	±0.5	±0.15	±0.10
>10-30	±0.5	±0.20	±0.15
>30-50	±0.5	±0.30	±0.20
>50-100	±0.8	±0.50	±0.25
>100-200	±1.5	±0.80	±0.40
>200-300	±2.0	±1.20	±0.80
>300-500	±3.0	±2.00	±1.00
>500	±5.0	±3.00	±1.50

THIRD ANGLE PROJECTION



ANGULAR TOLERANCE ±0.5 DEGREES  
 UNSPECIFIED RADII 0.25mm  
 DRAFT ANGLE 0.5 DEGREES  
 DIMENSIONS IN BRACKETS [ ] ARE  
 IN INCHES FOR REFERENCE ONLY

ORG. SCALE: 1:2

CREATE DATE: 14/07/2020

MATERIAL: SEE NOTES

Part ID: 1573746

Project: 4013140-1

TITLE:  
 T HANDLE HEAVY-DUTY LOCK

DWG. No.

2141205011E

SHEET  
 1 of 1  
 ISSUE  
 1

APPROVED - UNCONTROLLED