

Edelstahl- Leistengriffe EL

Werkstoff und Oberfläche:
Profil-Edelstahl; Werkstoff-Nr. 1.4404; gestrahlt und mattglänzend electropoliert.

Tragkraft:
min. 500 N.

Hinweis:
Beliebige andere Griff­längen auf Anfrage.

Stainless Steel Ledge Handles EL

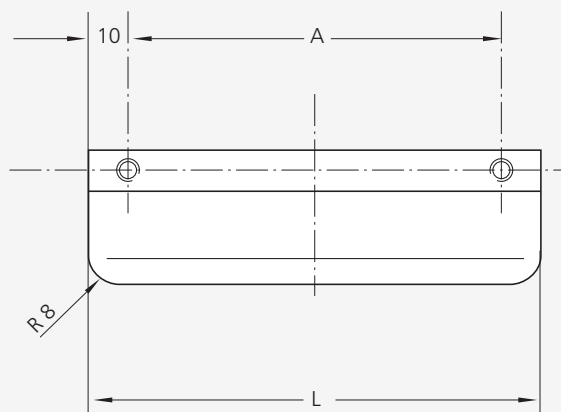
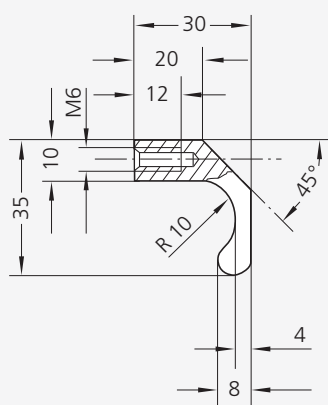
Material and surface:
Profiled stainless steel; material no. 1.4404 (316L); blasted and electropolished with a half-matt finish.

Stress resistance:
min. 500 N.

Note:
Any other handle lengths available on request.



1.4404
Stainless Steel
316L
Seawater Resistant



| A | L | Bestell-Nr. / Order no. |
|---|-----|-------------------------|
| 60 | 80 | EL-35.060.36 |
| 80 | 100 | EL-35.080.36 |
| 100 | 120 | EL-35.100.36 |
| 130 | 150 | EL-35.130.36 |
| Profil-Material, 1 m Profile material, 1 m | | EL-35.001.36 |