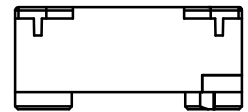
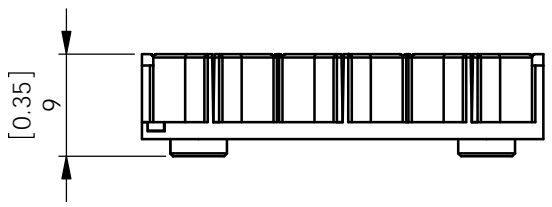
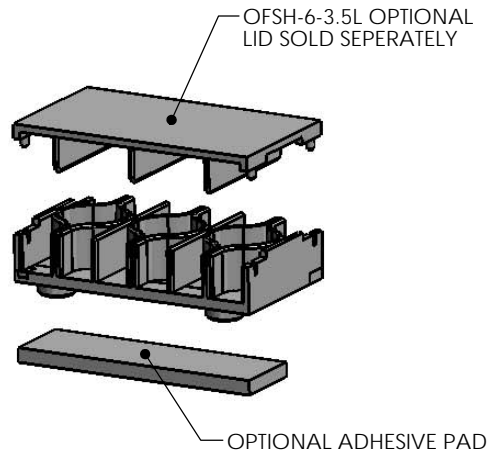
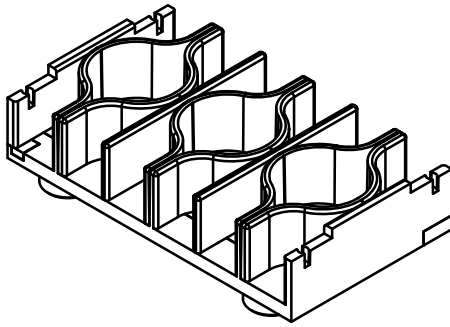
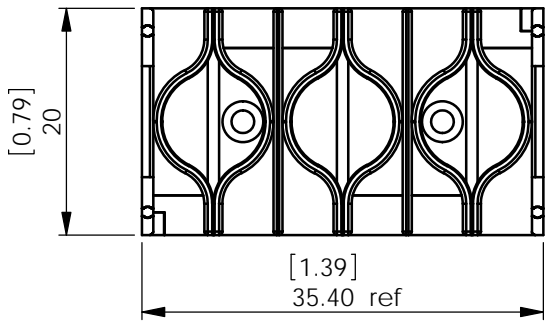


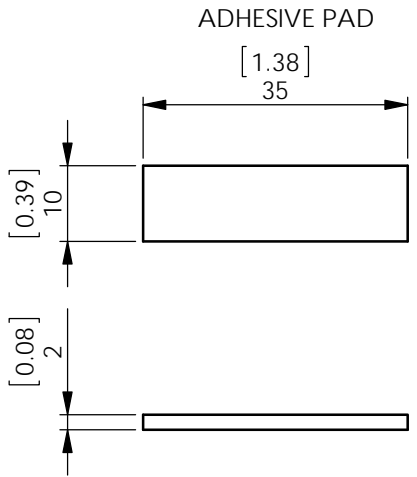
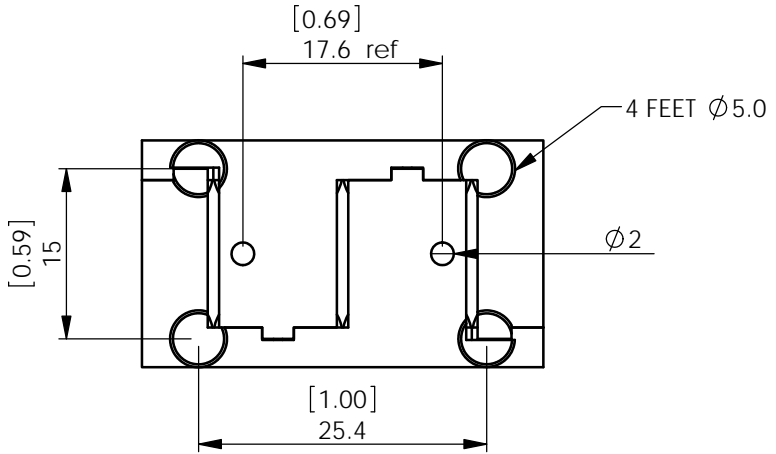
A B C D E F

REV.	MODIFICATION.	DATE	DRN
01	CO2010621	11/06/09	SF
02	CO2011290	16/10/12	SF



MINIFLEX TECHNOLOGY MANUFACTURED BY RICHCO	
MATL MIX: POLYPROPYLENE, RMS-150; TPE, RMS-182; COLOUR: NATURAL ADHESIVE TAPE, RMS-400	
PART NUMBER	ADHESIVE
OFSH-6-3.5	WITHOUT ADHESIVE
OFSH-6-3.5A	WITH ADHESIVE
OFSH-6-3.5L	LID, WITHOUT ADHESIVE

ALTERNATE UNITS FOR REFERENCE ONLY



INFORMATION CONTAINED IN THIS DOCUMENT IS CONFIDENTIAL TO RICHCO INTERNATIONAL Co. Ltd. AND MAY NOT BE DISCLOSED OR REPRODUCED IN WHOLE OR PART WITHOUT THEIR WRITTEN CONSENT.

RICHCO, INC. WWW.RICHCO-INC.COM	ALL DIMENSIONS IN mm GENERAL TOLERANCES ±0.25 UNLESS OTHERWISE STATED 1 DECIMAL PLACE ± 2 DECIMAL PLACES ± ANGULAR ±1°	THIRD ANGLE
	MATERIAL: SEE TABLE COLOUR: NATURAL	

DESCRIPTION: OPTICAL FIBER SPLICE HOLDER PART No: SEE TABLE

DRG No: 09-024 NPR No: SHEET SIZE A4

DRN MT	DATE 14/04/09	CHKD SF	DATE 11/06/09	SCALE NTS	SHEET No. 1 OF 1
-----------	------------------	------------	------------------	--------------	---------------------

A B C D E F FORM No. 0143/00