




Product information ELST 4008 V

Industrial Connecting Solutions: Circular Connectors: M8 - M12 Connectors: M8 Connectors: M8 Connectors (E series M8): MiniQuick, fast connection, cable plug self-assembled: ELST 4008 V

<https://www.e-catalog.beldensolutions.com:443/link/57078-24228-256281-256292-256303-276518-24247-37238/en/conf/uisstate>

| | |
|-------------------------------------|---|
| Name | ELST 4008 V |
| |  |
| | Straight cable plug, unassembled, strain relief by means of clamping cage |
| Delivery informations | |
| Availability | available |
| Product description | |
| Description | Straight cable plug, unassembled, strain relief by means of clamping cage |
| Type | ELST 4008 V |
| Order No. | 933 407-100 |
| Type of contact | male |
| Number of contacts | 4 |
| Cable gland | M 9.5 x 1 |
| Standard | IEC 61076-2-101 (Ed. 1)/ IEC 60947-5-2 |
| Housing Color | black |
| Technical data | |
| Pin dimensions | 1 mm |
| Rated voltage | AC/DC 20 V |
| Rated current | 3 A (2 A at 0.14 mm ²) |
| Type of termination | pin penetration |
| Suitable cables | diameter 4 mm to 5 mm / 0.14 mm ² to 0.34 mm ² |
| Core insulation of connecting leads | PVC, PETP, diameter 1.0 mm to 1.55 mm |
| Material | |
| Contact material | Cu Zn |
| Contact surface material | Au |
| Contact bearer material | PA |
| Housing material | PA |
| Coupling nut material | Zn Al/Ni |
| O-Ring | Viton / NBR |
| Environmental conditions | |
| Protection class (IEC 60529) | IP 67 |
| Pollution severity | 3 |
| Temperature range | -25 °C to +70 °C |
| Inflammability class | |
| Housing | 94 V-2 |
| Contact bearer | 94 V-2 |
| Packing unit | |
| Packaging unit | 100 pieces |



HIRSCHMANN

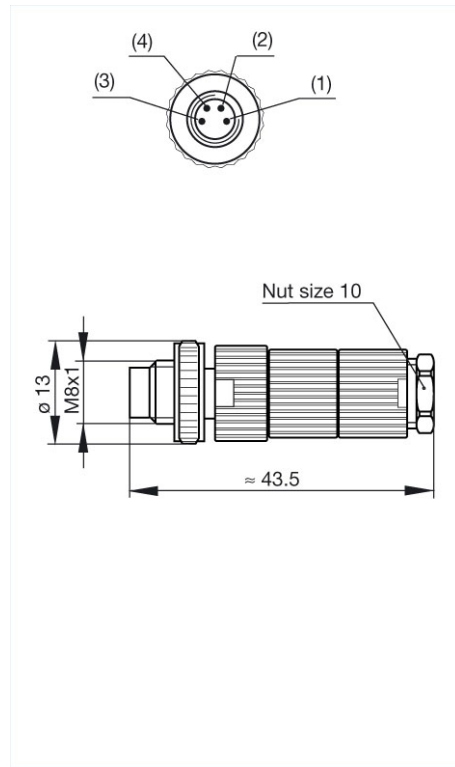
A Belden Brand

Industrial Connecting Solutions: Circular Connectors: M8 - M12 Connectors: M8 Connectors: M8 Connectors (E series M8): MiniQuick, fast connection, cable plug self-assembled: ELST 4008 V

<https://www.e-catalog.beldensolutions.com:443/link/57078-24228-256281-256292-256303-276518-24247-37238/en/conf/ui/state>

Picture

Drawing



Belden Deutschland GmbH

Im Gewerbepark 2
58579 Schalksmühle
Germany
Phone: +49 7127/14-1806
E-Mail: icos-sales@belden.com

The information published in the websites has been compiled as carefully as possible. It is subject to alteration without notice in technical as well as in price-related/commercial respect. The complete information and data were available on user documentation. Mandatory information can only be obtained by a concrete query.