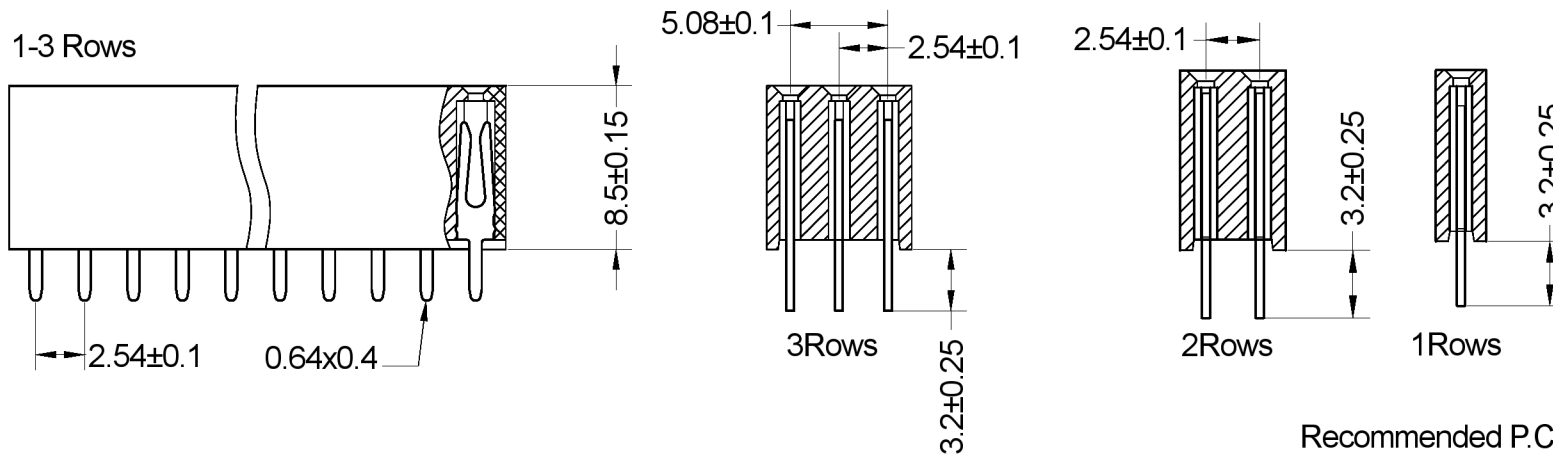
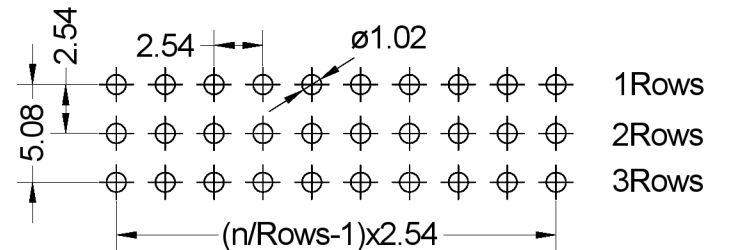


SPECIFICATIONS

Rated Current:	3.0A
Contact Resistance:	20mΩ Max
Withstand Voltage:	1000V AC/DC
Insulation Resistance:	1000MΩ Min
Operation Temperature:	-40°C to +105°C
Contact Material:	Brass
Contact Plating:	Plating acc. order code over Ni
Insulator Material:	PA6T,
Max. Processing Temp:	230°C for 30-60 seconds (260°C for 10 seconds)



Recommended P.C.B Layout (Top Side)
(PCB BOARD TOLERANCE ±0.05)



Series	Contacts*	Rows*	Plating*
46-157	08	2	00
	02-40 Einreihig Single row	1 Einreihig Single row	00 Vergoldet Gold plated
	04-80 Zweireihig Double row	2 Zweireihig Double row	50 Verzinnt Tin plated
	09-96 Dreireihig Triple row	3 Dreireihig Triple row	60 Sel. Au/Sn Duplex plating

X.X	±0.30
X.XX	±0.20
X.XXX	±0.10
Angle	±3°
DIM	TOL



Serial Number 46-157			
Part Name Female Headers 254mm Pitch, Straight, 1/2/3 Row			
Creation date 2016-02-12	Drawn AL	Approved PS	Approval date 2016-02-12
RoHS 2011/65/EU compliant		Scale %	Sheet

By appearing this data sheet previous are no longer valid. All dimensions are subject to change.

Copying of this document, and giving it to others and the use or communication of the contents thereof, are forbidden without express authority. Offenders are liable to the registration of a utility model or design.