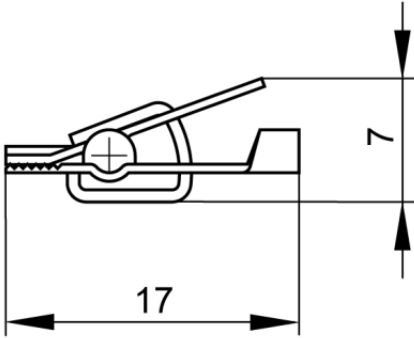


## Crocodile clips

### AGF 1



Product	AGF 1
description	Miniature alligator clip for small components, e.g. on printed circuits. silver-plated surface. Maximum clamping range 1 mm <sup>2</sup> . Maximum connecting lead cross-section 0.5 mm <sup>2</sup> solder or crimped.
Articlenummer	930476001 <span style="float: right; border: 1px solid black; padding: 2px;">Ag</span>
drawing	
	
technical data	
connection	solder connection, crimp terminal
rated voltage <sup>(1)</sup>	30 VAC / 60 VDC
measurement cat. acc. to IEC 61010	O <sup>(3)</sup>
rated current <sup>(1)</sup> (consider derating curve)	3 A
material socket	brass, silver plated
temperature range acc. To IEC61010 <sup>(2)</sup>	-25 °C to +100 °C
clamping range	1 mm
standard	IEC 61010

2 mm system

<sup>(1)</sup> for normal environmental conditions -5°C to +40°C

<sup>(2)</sup> contact the manufacturer for applications at deviating temperature ranges

<sup>(3)</sup> Other circuits that are not directly connected to mains

stand: 09.07.2018