

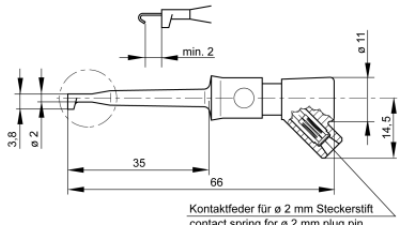


Clamp-type test probe

KLEPS 2 BU



Product	KLEPS 2 BU
description	Miniature clamp-type test probe with 2 mm diameter socket connection. Gold-plated copper beryllium contact spring. Gold-plated sprung bronze contact hook for wires up to a maximum diameter of 2 mm. Suitable for connection to wrap posts up to a maximum of
article-no. / *colour	9735011xx <div style="display: flex; justify-content: space-around; align-items: center;"> <div style="text-align: center;">  00 black </div> <div style="text-align: center;">  01 red </div> </div> <div style="text-align: right; border: 1px solid black; padding: 2px; margin-top: 10px;">Au</div>
drawing	
technical data	
connection	spring loaded socket 2 mm
rated voltage ⁽¹⁾	30 VAC / 60 VDC
measurement cat. acc. to IEC 61010	O ⁽³⁾
rated current ⁽¹⁾ (consider derating curve)	6 A
material socket	brass, gold plated
housing material	PA
temperature range acc. To IEC61010 ⁽²⁾	-25 °C to +70 °C
inflammability class acc. to UL 94 (only valid for basic material of housing)	V-2
clamp type	contact hook, gold plated
clamping range	max. Ø 2 mm

2 mm system

standard	IEC 61010
----------	-----------

- ⁽¹⁾ for normal environmental conditions -5°C to +40°C
⁽²⁾ contact the manufacturer for applications at deviating temperature ranges
⁽³⁾ Other circuits that are not directly connected to mains
stand: 09.07.2018