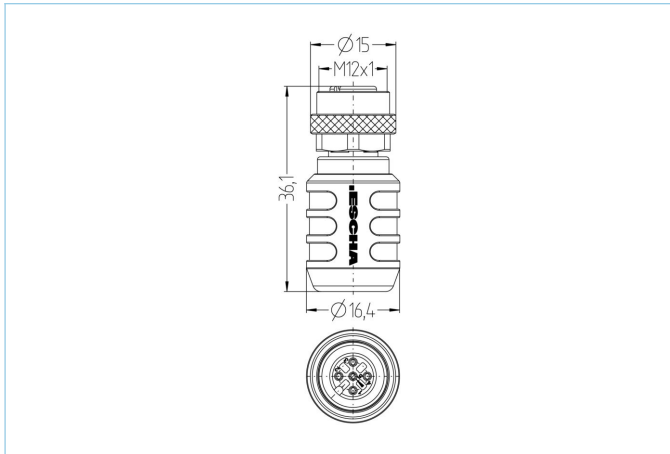


Termination plugs, CANopen/DeviceNet



Product data

Item description	CD-WAK2.010-AK
Item-No.	8026549
Customs tariff-No.	85366990
Step-File	CD-WAK5-AK.stp
EAN	4047106008079

Technical data

Connector	female, straight, M12
Function	CANopen/DeviceNet Termination connector (female)
Number of pins	5
Coding	A
Rated voltage	60V
Current load per pin (at 40°C)	4A
Insulation resistance	≥10 ⁹ Ω
Ambient temperature product	-30°C...+90°C
Contact material	Metal, CuZn, gold-plated
Contact-carrier material	Plastic, TPU, BK
Grip body material	Plastic, TPU, BK
Coupling nut material	Metal, CuZn, nickel-plated
Sealing (female) material	FPM/FKM
Standards	IEC 61076-2-101
Degree of protection (mounted)	IP65, IP67, IP68
Mechanical life-cycle	>100 mating cycles
Degree of pollution	3

Classification

eCl@ss 6.0	19070403
eCl@ss 7.0	19070403
eCl@ss 8.0	19070403
eCl@ss 9.0	19070403
ETIM 5.0	EC000448
ETIM 6.0	EC000448