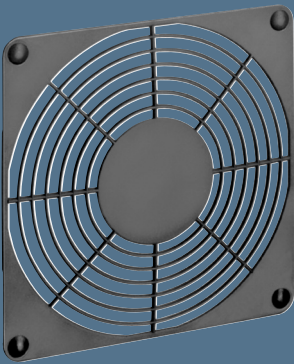


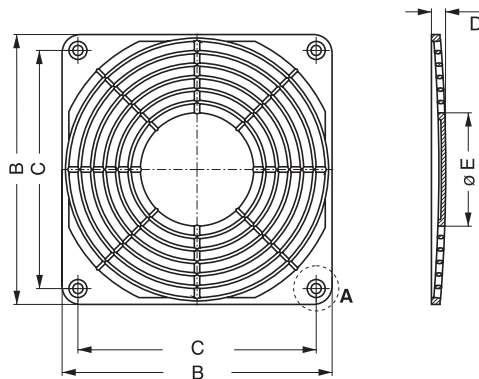
Guard grilles



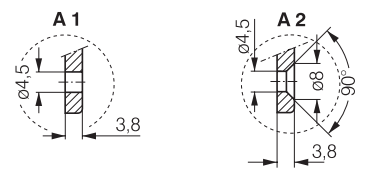
- Guard grille acc. to DIN EN ISO 13857 (previously EN 294), made of fibreglass-reinforced plastic.
- Plastic grilles must not be used for the following models:
8200 JH3 / JH4
3200 JH3 / JH4
4100 NH5 - NH8

Guard grilles	Mounting	B	C	D	E	Guard grilles	Mounting	B	C	D	E
LZ32-2	A1	80 ^{-0,5}	71,5 ^{±0,2}	7,0	34	LZ30-5	A2	119 ^{-0,5}	105 ^{±0,2}	6,5	50
LZ32-3	A3	80 ^{-0,5}	71,5 ^{±0,2}	7,0	34	LZ30-6	A4	119 ^{-0,5}	105 ^{±0,2}	6,5	50
LZ23-2	A1	92,5 ^{-0,5}	82,5 ^{±0,2}	6,5	46	LZ33-1	A2	127 ^{-0,5}	113,5 ^{±0,2}	6,5	50
LZ23-3	A3	92,5 ^{-0,5}	82,5 ^{±0,2}	6,5	46	LZ33-2	A4	127 ^{-0,5}	113,5 ^{±0,2}	6,5	50

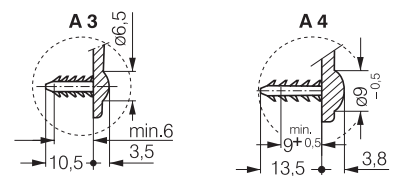
LZ32-2 / LZ32-3	Size 80 x 80
LZ23-2 / LZ23-3	Size 92 x 92
LZ30-5 / LZ30-6	Size 119 x 119
LZ33-1 / LZ33-2	Size 127 x 127



Screw connection

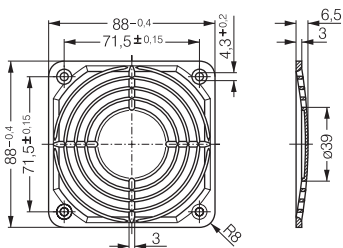


Barbed inserts



Suitable for bore diameters 4.3 - 4.7 only.

LZ32P Fan size 80 x 80



LZ30P Fan size 119 x 119

