

Product Data Sheet DV5214/2HP

**ebmpapst**

The engineer's choice



DV5214/2HP

INDEX

- 1 General..... 3**
- 2 Mechanics..... 3**
  - 2.1 General..... 3
  - 2.2 Connections..... 3
- 3 Operating Data ..... 4**
  - 3.1 Electrical Interface - Input..... 4
  - 3.2 Electrical Operating Data ..... 5
  - 3.3 Electrical Interface - Output..... 6
  - 3.4 Electrical Features..... 7
  - 3.5 Aerodynamics..... 8
  - 3.6 Sound Data..... 9
- 4 Environment ..... 9**
  - 4.1 General..... 9
  - 4.2 Climatic Requirements ..... 9
- 5 Safety ..... 10**
  - 5.1 Electrical Safety..... 10
  - 5.2 Approval Tests ..... 10
- 6 Reliability ..... 10**
  - 6.1 General..... 10

## 1 General

Fan type	Mixed-flow fan	
Rotating direction looking at rotor	Counterclockwise	
Airflow direction	Air outlet over struts	
Bearing system	Ball bearing	
Mounting position - shaft	Any	

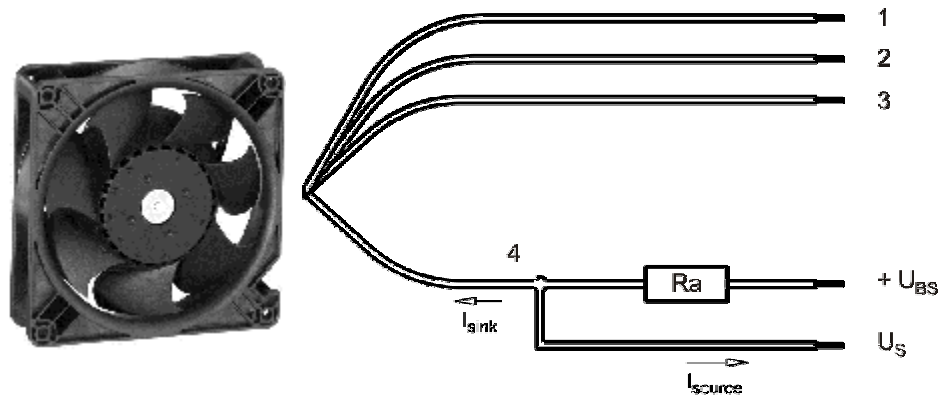
## 2 Mechanics

### 2.1 General

Width	127,0 mm	
Height	127,0 mm	
Depth	38,0 mm	
Mass	0,415 kg	
Housing material	Mixed	
Impeller material	Plastic	
Max. torque when mounted across both mounting flanges	Wire outlet corner: 100 Ncm Remaining corners: 120 Ncm	
Screw size	ISO 4762 - M4 degreased, without an additional brace and without washer	

### 2.2 Connections

Electrical connection	Wires	
Lead wire length	L = 310 mm	
Tolerance	+/- 10,0 mm	
Wire size (AWG)	22	
Insulation diameter	1,70 mm	



Wire	Color	Operation
1	red	+ UB
2	blue	- GND
3	violet	PWM
4	white	Tacho

The auxiliaries shown on the schematic diagram (which are required for the intended use) are not part of our delivery.

### 3 Operating Data

#### 3.1 Electrical Interface - Input

Control input	PWM
---------------	-----

#### Features

Input type	Open collector
------------	----------------

<p><b>Characteristics</b></p>	<table border="1"> <caption>Speed vs PWM Data</caption> <thead> <tr> <th>PWM [%]</th> <th>Speed [1./min]</th> </tr> </thead> <tbody> <tr><td>0</td><td>1000</td></tr> <tr><td>10</td><td>1000</td></tr> <tr><td>20</td><td>1600</td></tr> <tr><td>30</td><td>2200</td></tr> <tr><td>40</td><td>2800</td></tr> <tr><td>50</td><td>3400</td></tr> <tr><td>60</td><td>4000</td></tr> <tr><td>70</td><td>4600</td></tr> <tr><td>80</td><td>5200</td></tr> <tr><td>90</td><td>6000</td></tr> <tr><td>100</td><td>6000</td></tr> </tbody> </table>	PWM [%]	Speed [1./min]	0	1000	10	1000	20	1600	30	2200	40	2800	50	3400	60	4000	70	4600	80	5200	90	6000	100	6000
PWM [%]	Speed [1./min]																								
0	1000																								
10	1000																								
20	1600																								
30	2200																								
40	2800																								
50	3400																								
60	4000																								
70	4600																								
80	5200																								
90	6000																								
100	6000																								
<p><b>Schematics</b></p>	<p>Lüfter / Fan</p> <p>Kunde / Customer</p> <p>+ U<sub>B</sub></p> <p>+ interne Referenz / + internal reference</p> <p>R2</p> <p>R1</p> <p>Eingang / Input</p> <p>T</p> <p>- GND</p> <p>C</p>																								

### 3.2 Electrical Operating Data

Measurement conditions: Normal air density = 1,2 kg/m<sup>3</sup>; Temperature 23°C +/- 3°C; Motor axis horizontal; warm-up time before measuring 5 minutes (unless otherwise specified). In the intake and outlet area should not be any solid obstruction within 0,5 m.

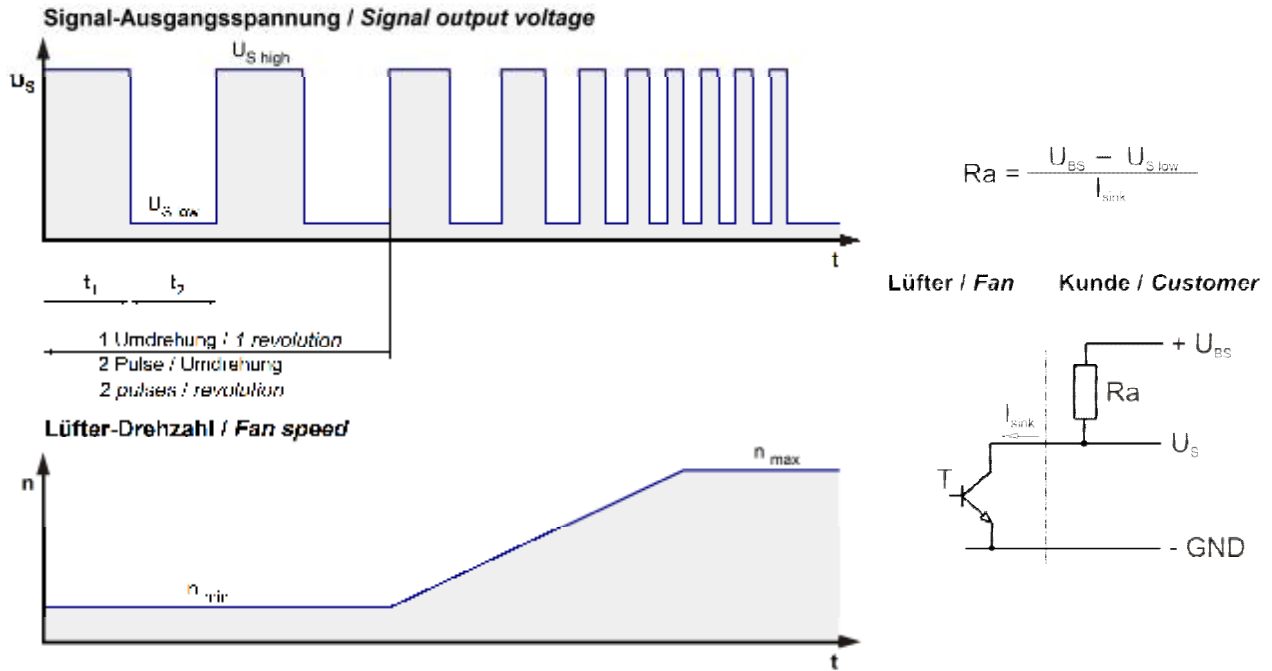
$\Delta p = 0$ : corresp. to free air flow (see chapter aerodynamics)  
 I: corresp. to arithm. mean current value

Name	Condition
PWM 0001	PWM: 100 %; f: 2 kHz

Features	Condition	Symbol	Values		
Voltage range		U	16 V		30,0 V
Nominal voltage		$U_N$		24,0 V	
Power consumption	$\Delta p = 0$	P	24 W	38,5 W	38,0 W
Tolerance	PWM 0010		+/- 15 %	+/- 15,0 %	+/- 15,0 %
Current consumption	$\Delta p = 0$	I	1.500 mA	1.600 mA	1.260 mA
Tolerance	PWM 0010		+/- 15,0 %	+/- 15,0 %	+/- 15,0 %
Speed	$\Delta p = 0$	n	5.000 1/min	6.000 1/min	6.000 1/min
Tolerance	PWM 0010		+/- 10,0 %	+/- 10,0 %	+/- 10,0 %
Starting current consumption				2.500 mA	

3.3 Electrical Interface - Output

Tacho type	/2 (open collector)
------------	---------------------

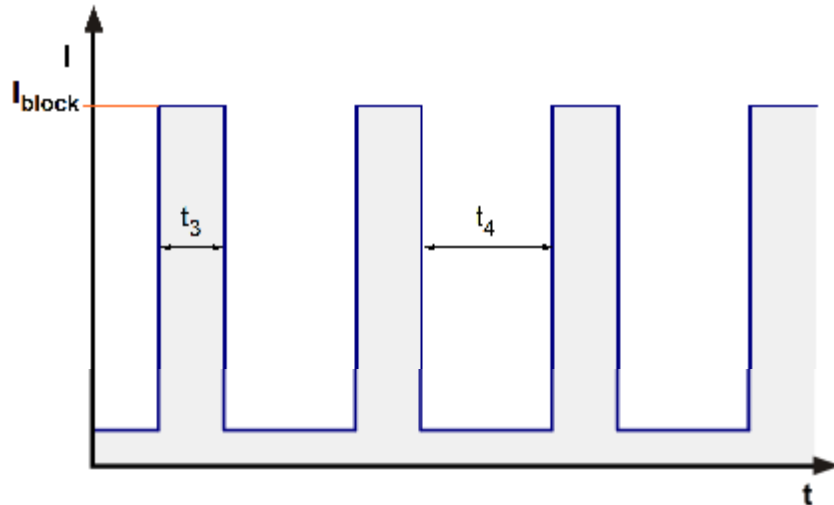


Features	Note	Values
Tacho operating voltage	$U_{BS}$	$\leq 60$ V
Tacho signal Low	$U_{S,low}$	$I_{sink}: 2$ mA $\leq 0,4$ V
Tacho signal High	$U_{S,high}$	$I_{source}: 0$ mA 60 V
Maximum sink current	$I_{sink}$	$\leq 10$ mA
External resistor	External resistor $R_a$ from $U_{BS}$ to $U_S$ required. All voltages measured to GND.	
Tacho frequency	$(2 \times n) / 60$	
Tacho isolated from motor	No	
Slew rate		$\Rightarrow 0,5$ V/us

$n$  = revolutions per minute (1/min)

### 3.4 Electrical Features

Electronic function	Speed-Controlled	
Reversed polarity protection	Rectifying diode	
Max. residual current at $U_N$	$I_F \leq 10 \text{ mA}$	
Locked rotor protection	Auto restart	
Locked rotor current at $U_N$	$I_{\text{block}}$ approx. 1.500 mA	
Clock signal at locked rotor	$t_3 / t_4$ typical: 0,5 s / 5,0 s	



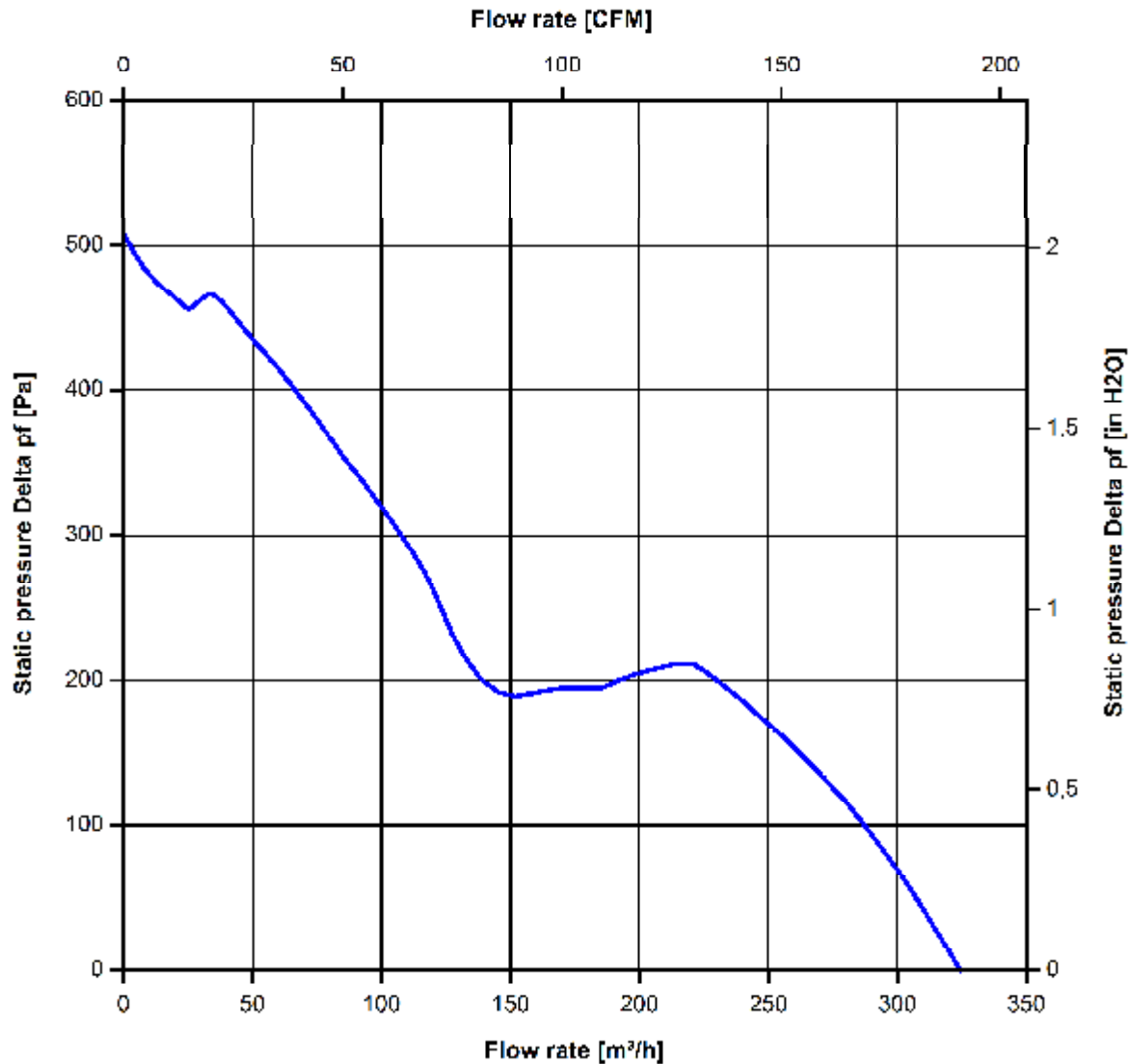
**3.5 Aerodynamics**

Measurement conditions: Measured with a double chamber intake rig acc. to DIN EN ISO 5801.  
 Normal air density = 1,2 kg/m<sup>3</sup>; Temperature 23°C +/- 3°C;  
 In the intake and outlet area should not be any solid obstruction within 0,5 m. Motor shaft horizontal.  
 The information is only valid under the specified test conditions and may be changed by the installation conditions. If there are deviations from the standard test conditions, the characteristic values must be checked under the installed conditions.

a.) Operation condition:

6.000 1/min at free air flow	PWM 100 %; f: 2 kHz		
------------------------------	---------------------	--	--

Max. free-air flow ( $\Delta p = 0 / \dot{V} = \text{max.}$ )	320,0 m <sup>3</sup> /h	
Max. static pressure ( $\Delta p = \text{max.} / \dot{V} = 0$ )	505 Pa	





### 3.6 Sound Data

Measurement conditions: Sound pressure level: 1 meter distance between microphone and the air intake.  
 Sound power level: Acc. to DIN 45635 part 38 (ISO 10302)  
 Measured in a semianchoic chamber with a background noise level of  $L_p(A) < 5 \text{ dB(A)}$   
 For further measurement conditions see chapter aerodynamics.

a.) Operation condition:

6.000 1/min at free air flow	PWM 100 %; f: 2 kHz		
------------------------------	---------------------	--	--

Optimal operating point	240,0 m3/h @ 145 Pa	
Sound power level at the optimal operating point	7,2 bel(A)	
Sound pressure level at free air flow, measured in rubber bands	62,0 dB(A)	

## 4 Environment

### 4.1 General

Min. permitted ambient temperature TU min.	-20 °C	
Max. permitted ambient temperature TU max.	65 °C	
Min. permitted storage temperature TL min.	-40 °C	
Max. permitted storage temperature TL max.	80 °C	

### 4.2 Climatic Requirements

Humidity requirements	humid heat, constant; according to DIN EN 60068-2-78, 14 days	
Water exposure	None	
Dust requirements	None	
Salt fog requirements	None	

Permitted application area:

The product is intended for use in sheltered rooms with controlled temperature and controlled humidity. Directly exposure to water must be avoided.

Pollution degree 1 (according DIN EN 60664-1)

There is either no pollution or it occurs only dry, non-conductive pollution. The pollution has no negative impact.

Please require severity levels and specification parameters from the responsible development departments.

## 5 Safety

### 5.1 Electrical Safety

Dielectric strength DIN EN 60950 (VDE 0805) and DIN EN 60335 (VDE 0700) A.) Type test Measuring conditions: After 48h of storage at 95% R.H. and 25°C. No arcing or breakdown is allowed! All connections together to ground. B.) Routine test Measuring conditions: At indoor climate. No arcing or breakdown is allowed! All connections together to ground.	500 VAC / 1 Min.  850 VDC / 1 Sec.	
Isolation resistance Measuring conditions: After 48h of storage at 95% R.H. and 25°C measured with U=500 VDC for 1 min.	RI > 10 MOhm	
Clearance / creepage distance	1,0 mm / 1,2 mm	
Protection class	III	

### 5.2 Approval Tests

CE	EC Declaration of Conformity	Yes
EAC	Eurasian Conformity	Yes
UL	Underwriters Laboratories	Yes / UL507, Electric Fans
VDE	Association for Electrical, Electronic and Information Technologies	Yes / Approval acc. to EN 60950 (VDE 0805) - Information technology equipment
CSA	Canadian Standards Association	Yes / C22.2 No. 113 Fans and Ventilators
CCC	China Compulsory Certification	Not applicable

The approval tests are observed to:

U approval max.: 25,0 V @ TU approval max.: 55,0 °C

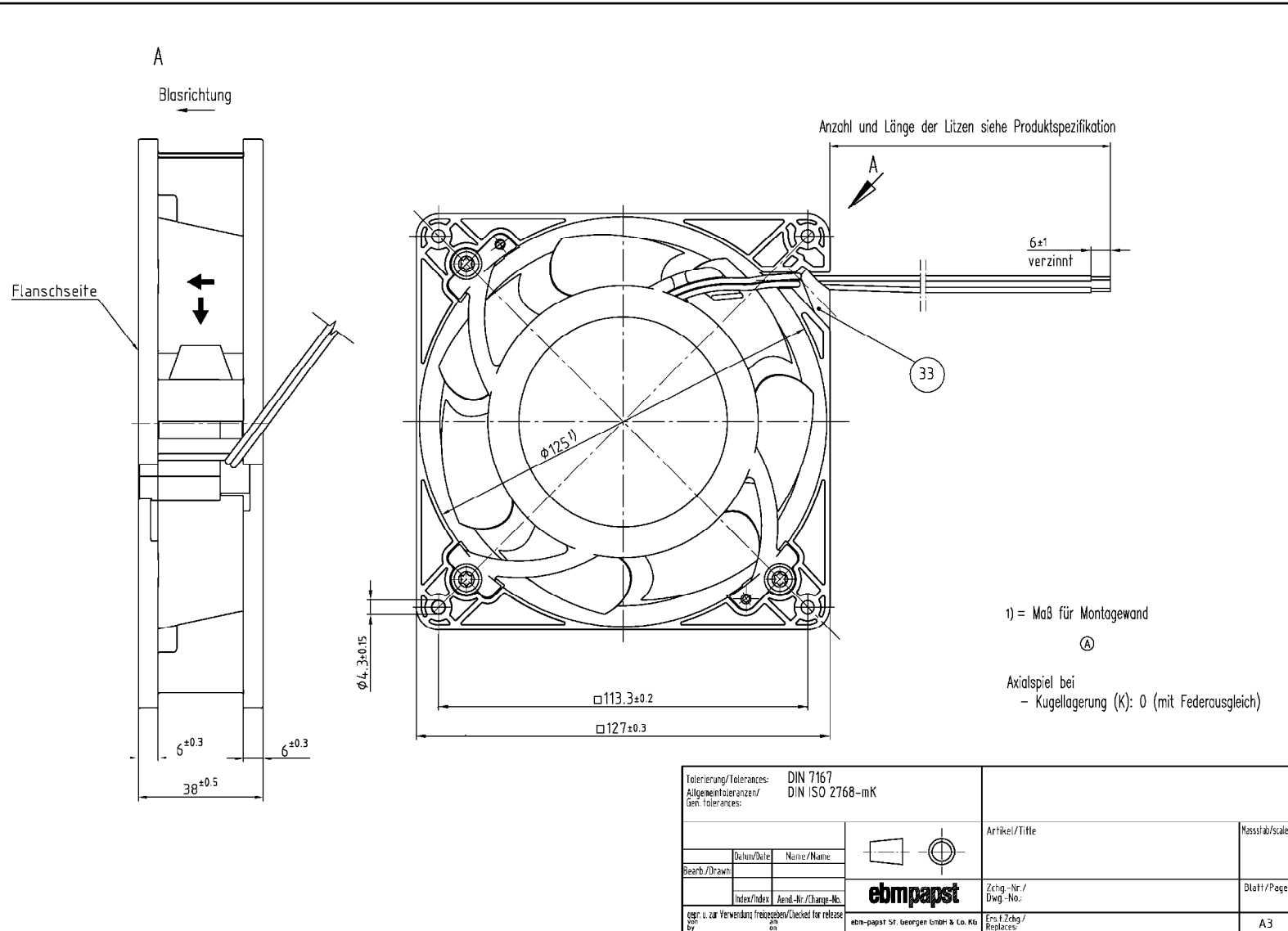
## 6 Reliability

### 6.1 General

Life expectancy L10 at TU = 40 °C	62.500 h	
Life expectancy L10 at TU max.	35.000 h	
Life expectancy L10 acc. to IPC 9591 at TU = 40 °C	105.000 h	

Copyright of the document and design is to others and the user assumes the responsibility of the correct use of the data and the consequences of any errors. The user is responsible for the correct use of the data and the consequences of any errors.

Schularbeit nach DIN ISO 648 beachtet  
 Refer to protection notice DIN ISO 648



1) = Maß für Montagewand  
 Ⓐ  
 Axialspiel bei  
 - Kugellagerung (K): 0 (mit Federausgleich)

Tolerierung/Tolerances: DIN 7167 Allg./Gen. Toleranzen/ Gen. Tolerances: DIN ISO 2768-mK			Artikel/Title	Maßstab/Scale
Bearb./Drawn:	Name/Name:			Zeich.-Nr./ Dwg.-No.
Index/Index:	Aend.-Nr./Change-No.:	Ers.-Zug./ Replaces:		A3
Gepr. u. zur Verwendung freigegeben/Checked for release by:		ebmpapst St. Georgen GmbH & Co. KG		12/03