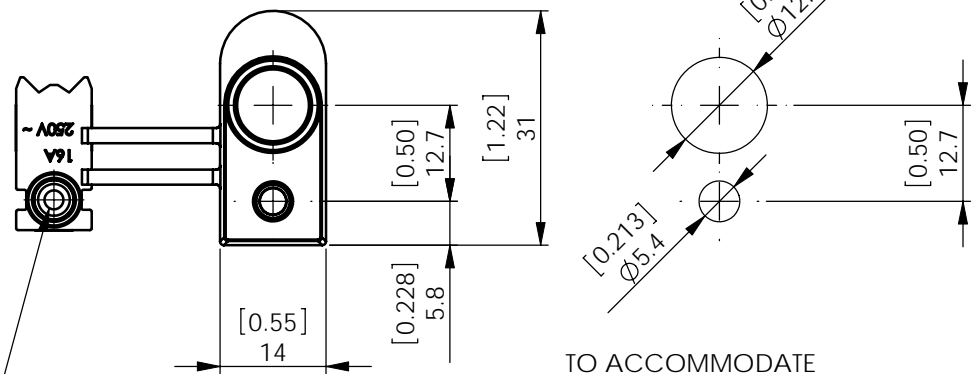
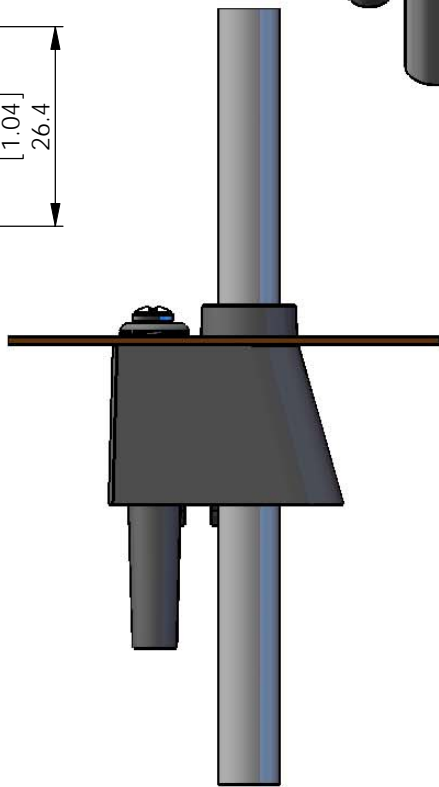
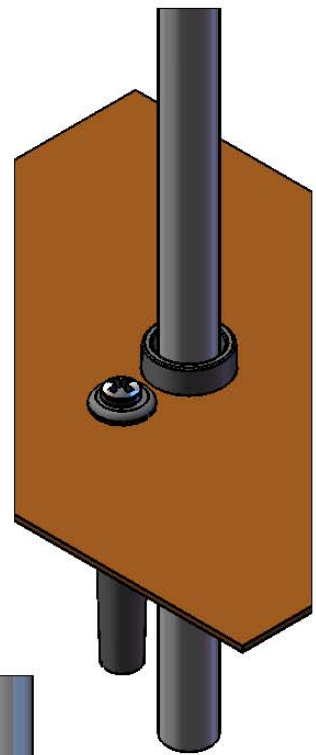
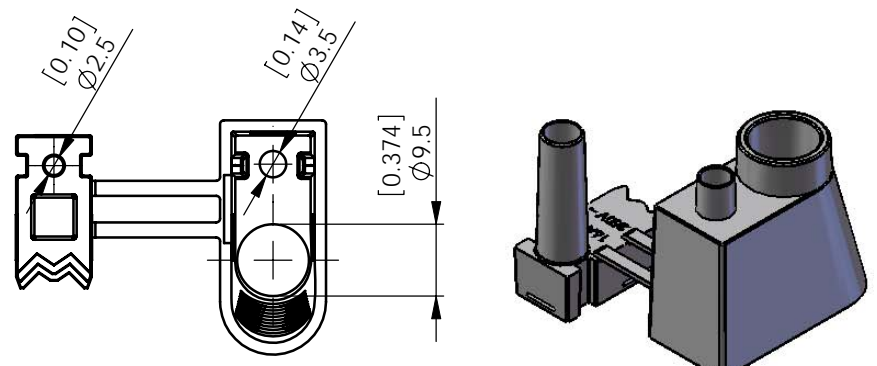
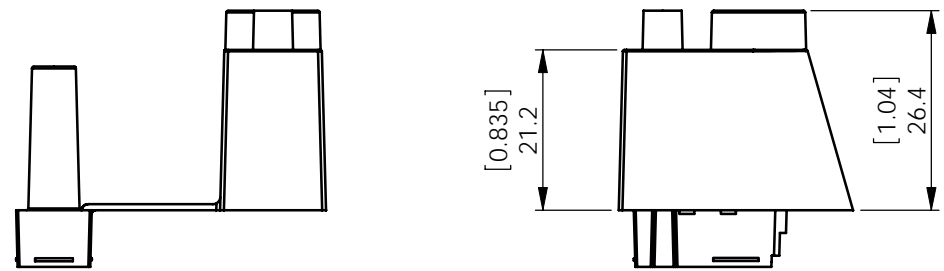


PANEL MOUNTING DETAILS
 PANEL THICKNESS
 0.5mm - 2mm [0.02 - 0.08]



TO SUIT M3.5 - M4 [#8]
 SELF TAPPING SCREW
 FOR THERMOPLASTIC

TO ACCOMMODATE
 CABLE DIAMETERS
 6mm - 8.5mm [0.24 - 0.34]



REV	MODIFICATION	DATE	DRN
01	PRODUCTION RELEASE	26/02/08	I.C
02	CO2010173	09/04/08	I.C
03	CO2010270	02/07/08	I.C

INFORMATION CONTAINED IN THIS DOCUMENT IS CONFIDENTIAL TO RICHCO INTERNATIONAL Co. Ltd. AND MAY NOT BE DISCLOSED OR REPRODUCED IN WHOLE OR PART WITHOUT THEIR WRITTEN CONSENT.



METRIC PRIMARY UNITS:mm
 IMPERIAL SECONDARY UNITS:[inches]
 GENERAL TOLERANCES ±0.25 [0.010]
 UNLESS OTHERWISE STATED
 1 DECIMAL PLACE ±
 2 DECIMAL PLACES ±
 ANGULAR ±1°

SHEET SIZE
A4

MATERIAL:
NYLON 6/6 UL94 V-2 (RMS-01)

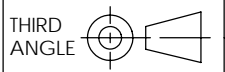
COLOUR:
BLACK

DESCRIPTION:
MAINS LEAD CLAMP

PART No:
MLC-1

DRG No:
08-014

NPR No:
2004-449



DRN
I.C

DATE
26/02/08

CHKD
S.F

DATE
03/03/08

SCALE
1:1

SHEET No.
1 OF 1