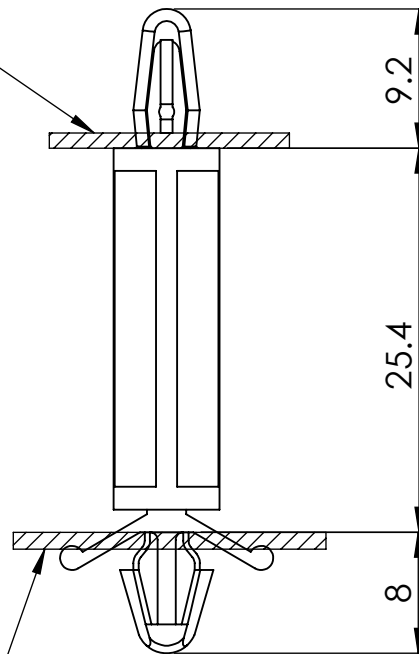
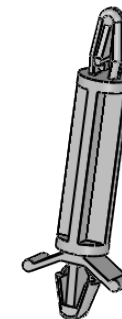
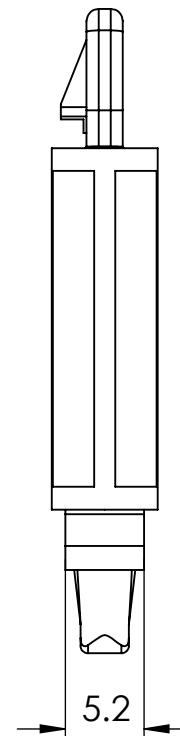


PANEL THICKNESS  
1.0 - 1.8 mm



PANEL THICKNESS  
0.4 - 2.0 mm



1:1

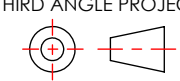
NOTE

COLOUR : NATURAL

HOLE A FIX TYPE : LOCKING BAYONET  
 HOLE B FIX TYPE : LOCKING ARROWHEAD  
 HOLE DIAMETER A : 4.0 mm  
 HOLE DIAMETER B : 4.0 mm

APPROVED - UNCONTROLLED

UNLESS OTHERWISE STATED

|                      |                  |  |  |
|----------------------|------------------|--|--|
| ALL DIMENSIONS IN mm |                  | DO NOT SCALE   |  |
| LINEAR TOLERANCE     |                  | THIRD ANGLE PROJECTION   |  |
| SIZE                 | (0) (0.0) (0.00) | <br>ANGULAR TOLERANCE ±0.5 DEGREES<br>UNSPECIFIED RADII 0.25mm<br>DRAFT ANGLE 0.5 DEGREES<br>DIMENSIONS IN BRACKETS [ ] ARE IN INCHES FOR REFERENCE ONLY |  |
| 0-10mm               | ±0.5 ±0.15 ±0.10 |  |  |
| >10-30               | ±0.5 ±0.20 ±0.15 |  |  |
| >30-50               | ±0.5 ±0.30 ±0.20 |  |  |
| >50-100              | ±0.8 ±0.50 ±0.25 |  |  |
| >100-200             | ±1.5 ±0.80 ±0.40 |  |  |
| >200-300             | ±2.0 ±1.20 ±0.80 |  |  |

ORG. SCALE: 2:1      CREATE DATE: 15/02/2019

MATERIAL: NYLON 6/6

Part ID: 1070254      Project: P160260-1

TITLE: PCB SPACER A=25.4

|          |              |       |        |
|----------|--------------|-------|--------|
| DWG. No. | 100037600002 | SHEET | 1 of 1 |
|          |              | ISSUE | 1      |