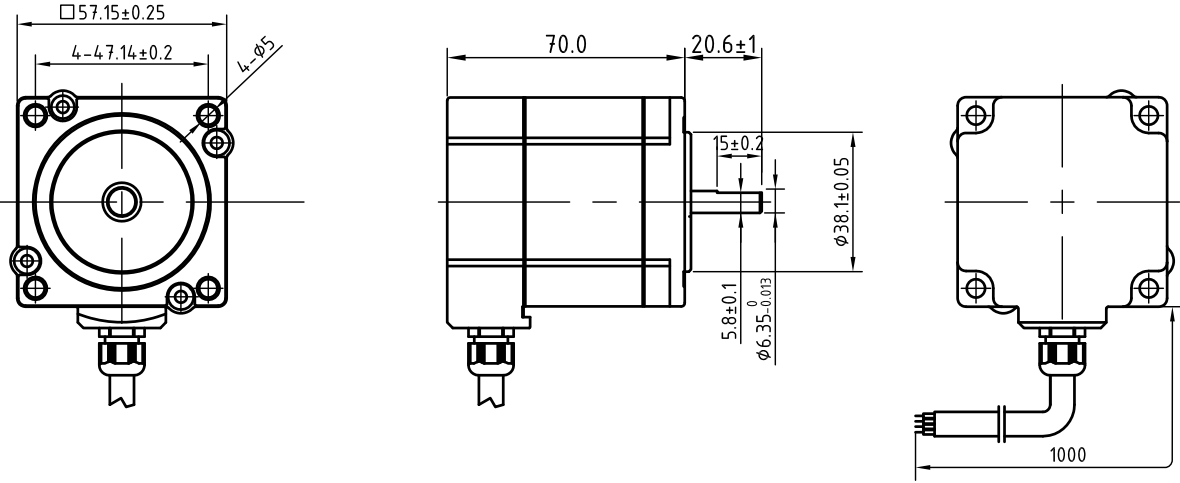
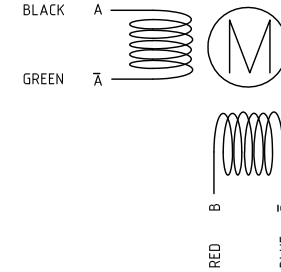


DIMENSIONS unit=mm



MOTOR CONNECTIONS



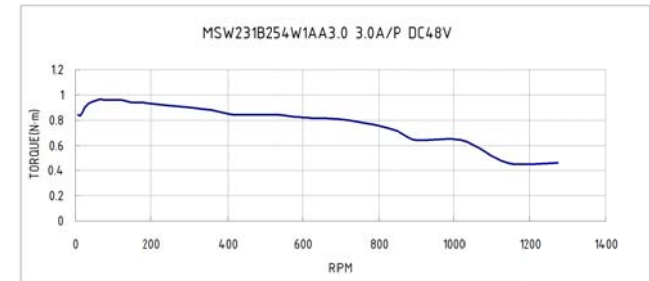
COMMON RATINGS

Step angle	1.8°
Position accuracy	1.8°±0.09°
Number of phase	2
Temp rise(Max)	80°C
Dielectric strength	500VDC
Insulation resistance	100MΩ(500VDC)
Radial play	Max 0.025mm(Load 450g)
Axial play	Max 0.075mm(Load 920g)
Insulation class	B
Protection level	IP67 (IP65 optional)

SPECIFICATION

MSW231A254W1AA3.0	
Current/phase: A	3.0
DC Resistance: Ω±10%	0.74
Inductance/phase:mH±20%	2.4
Holding torque: N.m	1.1
Inertia: g.cm ²	350
Weight: Kg	0.9

Speed-Torque Curve



E			UNIT:mm		Approve			<p>JVI Industri Elektronik A/S · +45 4582 4440 · jvi@jvi.dk JVI Deutschland · +49 7121 1377260 · jan.tausend@jvi.dk JVI UK Ltd · +45 45824440 · jvi@jvi.dk JVI USA · +1 513 877 3134 · mfisher@jvlusa.com</p>	
D			FIRST ANGLE VIEW		Standard				
C			MSW231A254W1AA3.0	Technology					
B				Check					
A	The first version	2013.11.22		Design		2013.11.22			
REV:	REVISION RECORD	DATE		NAMES	SIGNATURE	DATE	MODEL:	SCALE 1:1	SHEET 1 OF 1