

LINEAR ACTUATOR

LD3 series

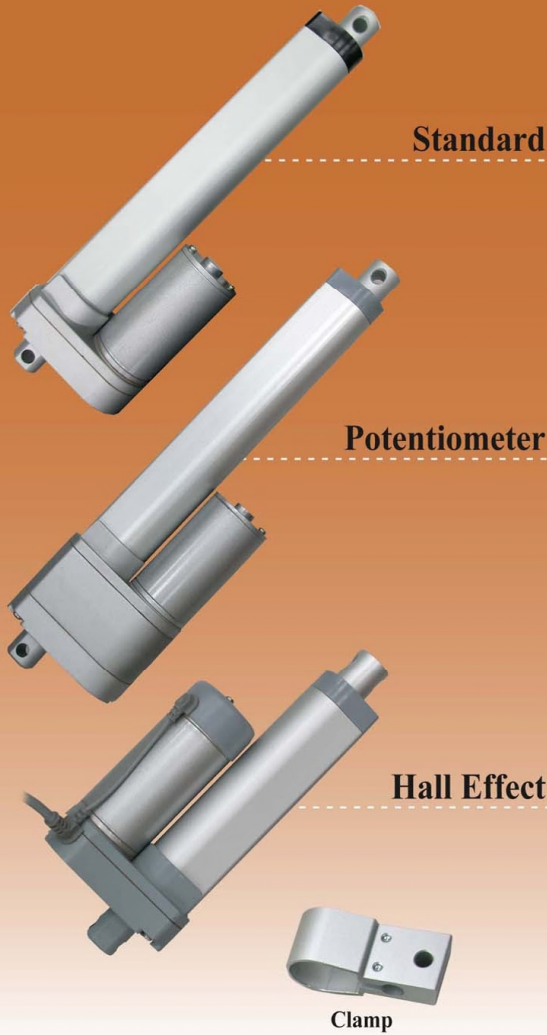
12/24V DC Motor
 Max. Load: 1200N
 Max. Speed: 45mm/sec
 Compact and Powerful

Feature :

Aluminum Extension & Outer Tubes
 Clevis to Clevis Mounting
 Stroke: 50, 100, 150, 200, 250, 300mm
 Duty Cycle: 25%
 Environment: -26°C~65°C
 Preset Limit Switches
 Gear Ratio: 5:1, 10:1, 20:1, 30:1, 40:1
 IP54

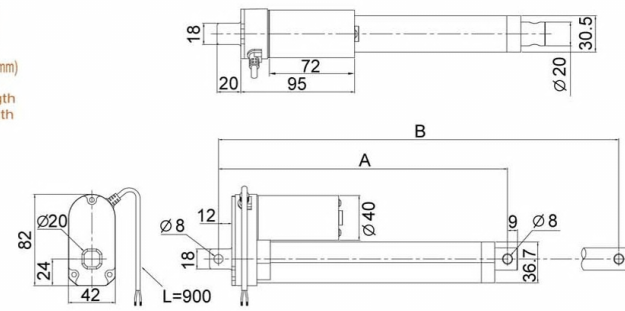
Option :

Hall Effect Sensor
 Potentiometer
 Optional or Customized Front
 Mounting Bracket
 Clamp
 IP65



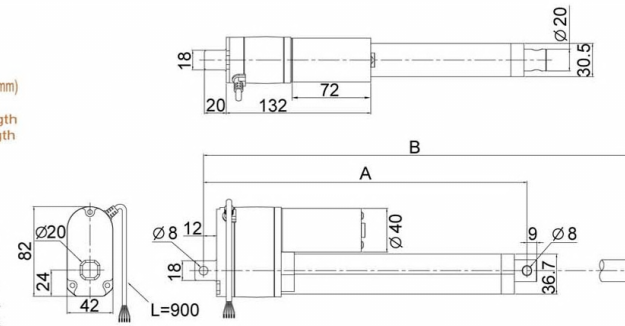
Standard	Stroke	50	100	150	200	250	300
		A	158	209	260	311	362
	B	208	309	410	511	612	713

A: Retracted Length
 B: Extended Length
 Stroke = B - A



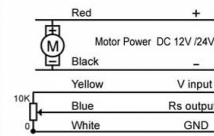
Potentiometer	Stroke	50	100	150	200	250	300
		A	195	246	297	348	399
	B	245	346	447	548	649	750

A: Retracted Length
 B: Extended Length
 Stroke = B - A



Stroke(mm)	Resistance (Ω)
50	0.3-9.3K
100	0.3-9.7K
150	0.3-8.6K
200	0.3-9.6K
250	0.3-9.3K
300	0.3-9.3K

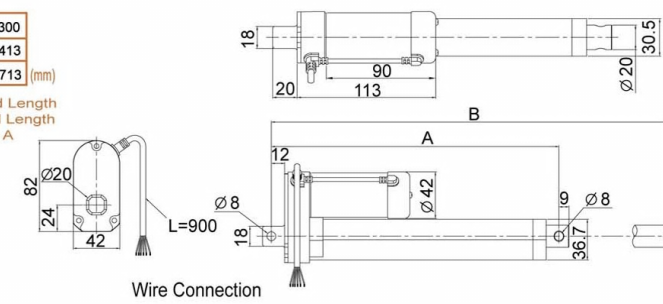
Remark: tolerance: ±0.3K



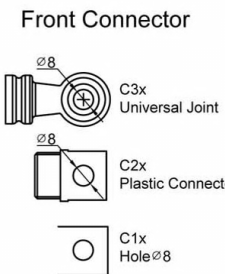
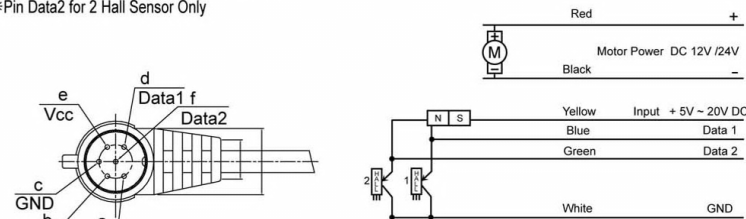
Hall Effect	Stroke	50	100	150	200	250	300
		A	158	209	260	311	362
	B	208	309	410	511	612	713

A: Retracted Length
 B: Extended Length
 Stroke = B - A

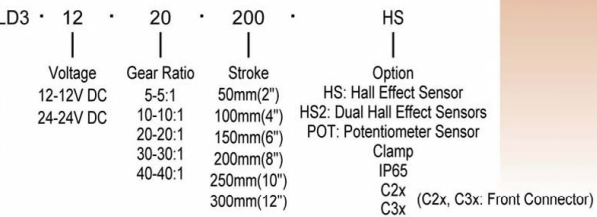
Gear Ratio	Resolution(Pulses/mm)
5:1	2.3
10:1	3.6
20:1	6.9
30:1	10.6
40:1	14.3



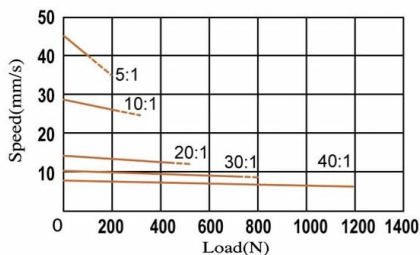
Standard Plug for Hall Sensor Version
 *Pin Data2 for 2 Hall Sensor Only



Model No. Designations:



Speed vs Load



Current vs Load

