



**X2 extreme 7 CO**

## Installation manual for X2 extreme 7 CO

### Foreword

All operator panels are developed to satisfy the demands of human-machine communication. Built-in functions such as displaying and controlling text, dynamic indication, time channels, alarm and recipe handling are included.

The operator panel works primarily in an object-oriented way, making it easy to understand and use. Configuration is carried out on a PC using iX Developer software. The project can then be transferred and stored in the operator panel itself.

Various types of automation equipment such as PLCs, servos or drives can be connected to the operator panels. In this manual, the term “the controller” refers to the connected equipment.

This manual explains how to install the operator panel. Please refer to the iX Developer reference manual for further information.

Order no: MAEN312

Copyright © 2019-09 Beijer Electronics AB. All rights reserved.

The information in this document is subject to change without notice and is provided as available at the time of printing. Beijer Electronics AB, including all its group companies, reserves the right to change any information without updating this publication. Beijer Electronics AB, including all its group companies, assumes no responsibility for any errors that may appear in this document. Read the entire installation manual prior to installing and using this equipment. Only qualified personnel may install, operate or repair this equipment. Beijer Electronics AB, including all its group companies, are not responsible for modified, altered or renovated equipment. Because the equipment has a wide range of applications, users must acquire the appropriate knowledge to use the equipment properly in their specific applications. Persons responsible for the application and the equipment must themselves ensure that each application is in compliance with all relevant requirements, standards and legislation in respect to configuration and safety. Only parts and accessories manufactured according to specifications set by Beijer Electronics AB, including all its group companies, may be used.

**BEIJER ELECTRONICS AB, INCLUDING ALL ITS GROUP COMPANIES, SHALL NOT BE LIABLE TO ANYONE FOR ANY DIRECT, INDIRECT, SPECIAL, INCIDENTAL OR CONSEQUENTIAL DAMAGES RESULTING FROM THE INSTALLATION, USE OR REPAIR OF THIS EQUIPMENT, WHETHER ARISING IN TORT, CONTRACT, OR OTHERWISE. BUYER'S SOLE REMEDY SHALL BE THE REPAIR, REPLACEMENT, OR REFUND OF PURCHASE PRICE, AND THE CHOICE OF THE APPLICABLE REMEDY SHALL BE AT THE SOLE DISCRETION OF BEIJER ELECTRONICS AB, INCLUDING ALL ITS GROUP COMPANIES.**

# Contents

<b>1</b>	<b>Safety Precautions</b>	<b>4</b>
1.1	General	4
1.2	Hazardous Materials	4
1.3	Disposal Requirements Under WEEE Regulations	5
1.4	UL and cUL Installation	5
1.5	IECEX/ATEX Certificate and Dust Rating	6
1.6	Conditions of Safe Use for Zone 2/22 ATEX/IECEX	7
1.7	During Installation	7
1.8	During Use	7
1.9	Service and Maintenance	7
1.10	Dismantling and Scrapping	8
1.11	Appearance of Air in Touch Screen	8
<b>2</b>	<b>Naming Convention</b>	<b>9</b>
<b>3</b>	<b>Installation</b>	<b>10</b>
3.1	Space Requirements	10
3.2	Installation Process	10
3.2.1	Connections to the Controller	12
3.2.2	Hazardous Location Installation	13
3.2.3	Other Connections and Peripherals	13
<b>4</b>	<b>Technical Data</b>	<b>14</b>
<b>5</b>	<b>Chemical Resistance</b>	<b>16</b>
5.1	Metal Casing	16
5.2	Touch Screen and Overlay Material	16
5.2.1	Protective Film	16
5.2.2	Touch Screen Surface	18
5.2.3	Touch Screen Protector	18
<b>6</b>	<b>Operator Panel Drawings</b>	<b>19</b>
6.1	Connectors	19
6.1.1	Communication Ports	19
6.2	X2 extreme 7 CO Outline	20
<b>7</b>	<b>Additional Installation Tips</b>	<b>21</b>
7.1	Grounding the operator panel	21
7.2	Ethernet Connection in the Operator Panel	22
7.3	To Achieve Better EMC Protection	23
7.4	Ambient Temperature	25
7.5	Safety	27
7.6	Galvanic Isolation	28
7.7	Cable and Bus Termination RS-485	30

# 1 Safety Precautions

Both the installer and the owner and/or operator of the operator panel must read and understand this installation manual.

## 1.1 General

- Read the safety precautions carefully.
- Check the delivery for transportation damage. If damage is found, notify the supplier as soon as possible.
- Do not use the operator panel in an environment with high explosive hazards.
- The supplier is not responsible for modified, altered or reconstructed equipment.
- Use only parts and accessories manufactured according to specifications of the supplier.
- Read the installation and operating instructions carefully before installing, using or repairing the operator panel.
- Never allow fluids, metal filings or wiring debris to enter any openings in the operator panel. This may cause fire or electrical shock.
- Only qualified personnel may operate the operator panel.
- Storing the operator panel where the temperature is lower/higher than recommended in this manual can cause the LCD display liquid to congeal/become isotropic.
- The LCD display liquid contains a powerful irritant. In case of skin contact, wash immediately with plenty of water. In case of eye contact, hold the eye open, flush with plenty of water and get medical attention.
- The figures in this manual serve an illustrative purpose. Because of the many variables associated with any particular installation, the supplier cannot assume responsibility for actual use based on the figures.
- The supplier neither guarantees that the operator panel is suitable for your particular application, nor assumes responsibility for your product design, installation or operation.
- It is recommended to turn on and shut down the operator panel at least once before installing any components/cards or before connecting the operator panel to external devices; for example serial devices.
- For Marine panels only:
  - The operator panel must be installed and operated as described in this document to meet this certification.
  - Observe precautions for handling electrostatic discharge sensitive devices

## 1.2 Hazardous Materials

Part description 零件描述	Toxic and hazardous materials or elements 有毒和有害的材料或元素					
	Pb	Hg	Cd	Cr6+	PBB	PBDE
PCB and electronic components PCB 和 电子元件	X	O	O	O	O	O

**O:** Indicates that this toxic or hazardous substance contained in all of the homogenous materials for this part is below the limit requirement in SJ/T 11363-2014.

O : 表示该有害物质在该部件所有均质材料中的含量均在SJ/T 11363-2014规定的限量要求以下。

X: Indicates that this toxic or hazardous substance contained in at least one of the homogenous materials for this part is above the limit requirement in SJ/T 11363-2014.

X: 表明该有害物质至少在部件的某一均质材料中的含量超出SJ/T 11363-2014规定的限量要求。

## 1.3 Disposal Requirements Under WEEE Regulations

**For professional users in the European Union:** If you wish to discard electrical and electronic equipment (EEE), please contact your dealer or supplier for further information.

**For disposal in countries outside of the European Union:** If you wish to discard this product please contact your local authorities or dealer and ask for the correct method of disposal.

## 1.4 UL and cUL Installation

- All devices have to be supplied by a Class 2 power supply.



**Warning:**

Do not separate when energized.

AVERTISSEMENT, NE PAS SEPARER SOUS TENSION.

---



**Warning:**

Do not open when an explosive atmosphere is present.

NE PAS OUVRIR SI UNE ATMOSPHERE EXPLOSIVE EST PRÉSENT.

---



**Warning:**

Battery may explode if mistreated. Do not recharge, disassemble or dispose of in fire.

This product contains a battery that is not user replaceable.

LA BATTERIE PEUT EXPLOSER EN CAS DE MAUVAISE MANIPULATION.

NE LA RECHARGEZ PAS, NE LA DÉMONTEZ PAS ET NE LA JETEZ PAS DANS LE FEU.

CE PRODUIT CONTIENT UNE PILE QUI NE PEUT PAS ÊTRE REMPLACÉE PAR L'UTILISATEUR.

---



**Warning:**

Potential electrostatic charging hazard, see instructions.

To avoid electrostatic charge build-up, it must not be rubbed or cleaned with solvents or a dry cloth when installed/used within a potentially explosive atmosphere.

POTENTIEL ÉLECTROSTATIQUE RISQUE DE CHARGEMENT,  
VOIR INSTRUCTIONS.



**Warning:**

Explosion hazard! Substitution of components may impair suitability for Class I, Division 2.

RISQUE D'EXPLOSION! LA SUBSTITUTION DE COMPOSANTS PEUT  
NUIRE À LA CONFORMITÉ DE CLASSE I, DIVISION 2.

- Use minimum 85°C copper conductors only.
- To make wiring connections to the power supply connector, follow the table with cable and torque specifications below:
- These devices are Class 2 supplies programmable controllers (industrial PCs) or the use in industrial control equipment and are intended to be (front) panel mounted.
- For use on a flat surface of an enclosure.

Terminal Block Connector	Wire Size	Torque (Nm)
Phoenix Contact	0.5 - 3.3 mm <sup>2</sup>	0.6 - 0.8

**Caution:**

The equipment shall be installed in an enclosure that provides a degree of protection not less than IP 65 in accordance with EN/IEC 60079-0 when used in Zone 2/22 applications.

The inside of the enclosure the device is mounted in shall not be more than pollution degree 2, as defined in EN/IEC 60664-1.

CET ÉQUIPEMENT EST TESTÉ EN TANT QUE COMPOSANT ET DOIT ÊTRE  
INSTALLÉ DANS UN BOÎTIER AVEC INDICE DE PROTECTION IP 65 MINIMUM.

**Caution:**

Temperature code T4 IEC/EN60079-0 (2012), IEC/EN 60079-15 (2010) and IEC/ EN 60079-31 (2014).

Protection string Ex nA nC IIC T4 Gc and Ex tc IIIC T75 °C Dc.

CODES DE TEMPÉRATURE T4 IEC/EN 60079-0 (2012), ET IEC/EN60079-15 (2010) and IEC/ EN 60079-31 (2014).

CHAÎNE DE PROTECTION Ex nA nC IIC T4 Gc Ex tc IIIC T75 °C Dc.

## 1.5 IECEx/ATEX Certificate and Dust Rating



II 3 G Ex nA nC IIC T4 Gc



II 3 D Ex tc IIIC T82 °C Dc

IECEx UL 19.0058X

DEMKO 19 ATEX 1900X

## 1.6 Conditions of Safe Use for Zone 2/22 ATEX/IECEX

- In a Zone 2 environment, this equipment shall be installed in an enclosure that provides a degree of protection not less than IP54 in accordance with IEC/EN 60079-0. The IP rating of the equipment is limited to the IP rating of the enclosure it is to be installed into.
- In a Zone 22 environment, this equipment shall be installed in an enclosure that provides a degree of protection not less than IP64 in accordance with IEC/EN 60079-0. The IP rating of the equipment is limited to the IP rating of the enclosure it is to be installed into.
- To avoid electrostatic charge build-up, it must not be rubbed or cleaned with solvents or a dry cloth when installed/used within a potentially explosive atmosphere.
- The area the device is mounted in shall not be more than pollution degree 2, as defined in IEC/EN 60664-1.

## 1.7 During Installation

- Install the operator panel according to the accompanying installation instructions.
- Ground the operator panel according to the accompanying installation instructions.
- Only qualified personnel may install the operator panel.
- Separate the high voltage, signal, and supply cables.
- Make sure that the voltage and polarity of the power source is correct before connecting the operator panel to the power outlet.
- Peripheral equipment must be appropriate for the application and location.

## 1.8 During Use

- Keep the operator panel clean.
- Emergency stop and other safety functions may not be controlled from the operator panel.
- Do not use excessive force or sharp objects when operating the touch screen.

## 1.9 Service and Maintenance

- Only qualified personnel should carry out repairs.
- The agreed warranty applies.
- Before carrying out any cleaning or maintenance operations, disconnect the equipment from the electrical supply.
- Clean the display and surrounding front cover with a soft cloth and mild detergent.
- The battery must be replaced by an authorized Beijer Electronics service center.

## **1.10 Dismantling and Scrapping**

- The operator panel or parts thereof shall be recycled according to local regulations.
- The following components contain substances that might be hazardous to health and the environment: lithium battery, electrolytic capacitor, and display.

## **1.11 Appearance of Air in Touch Screen**

The layer structure of the touch screen contains air. In rare cases, the appearance of bubbles can arise. This is purely cosmetic and does not affect the functionality of the operator panel. The appearance can occur under certain environmental conditions such as temperature, humidity, and atmospheric pressure.



## 2 Naming Convention

The name of each panel is based on its properties according to the table below.

X2 family	Size (inches)	Variant	
base	4	SC	SoftControl
pro	5	SM	SoftMotion
marine (= with BL)	7	HB	High Brightness
control (= with SC)	10	HP	High performance
motion (= with SM)	12	BL	Black
extreme	15	12V	12 Volt
		SL	Sealed
		RO	Rugged Only
		CO	Certification Only

Examples:

- X2 pro 7
- X2 control 10
- X2 marine 12 SC
- X2 marine 15 HB SC
- X2 extreme 7 12V\*
- X2 extreme 12 HP SC\*
- X2 extreme 7 SL HP\*
- X2 extreme 12 SL HP SC\*
- X2 extreme 7 CO\*
- X2 extreme 12 SL HP RO

---

**Note:**

Not all combinations are available.

---

**Note:**

\* indicates variants including IECEx\ATEX and C1D2 accreditation.

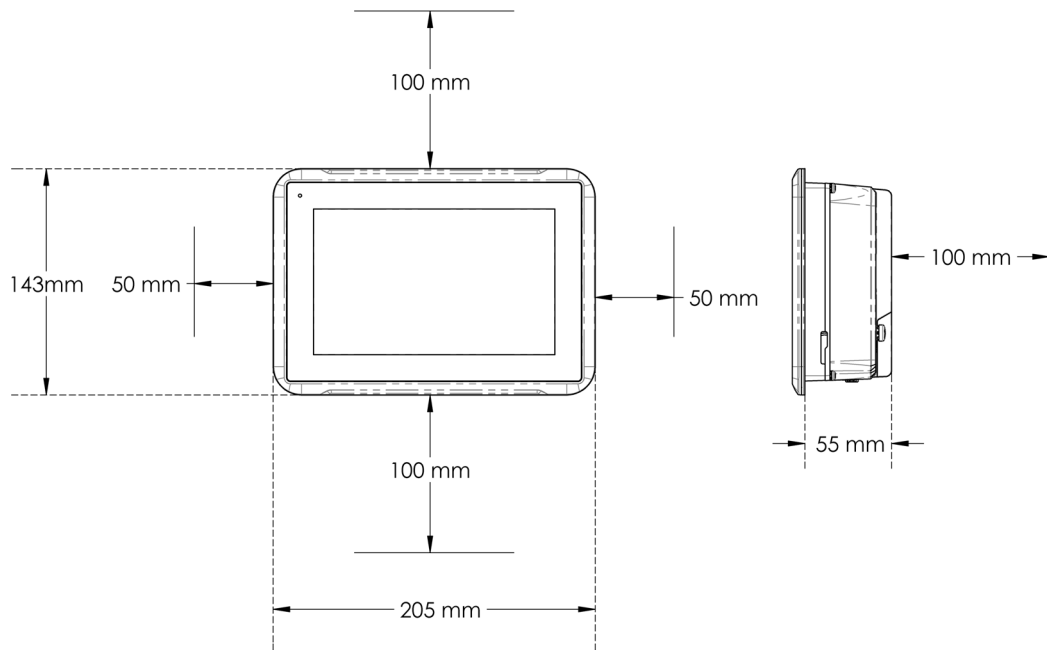
---

## 3 Installation

### 3.1 Space Requirements

- Maximum installation plate thickness: 11 mm

The following drawings show the space requirements in millimeters when installing the operator panel. The drawings are only illustrative and may be out of proportion.



### 3.2 Installation Process

The following is needed:

- A Phillips/slot screwdriver

Do the following:

1. Unpack and check the delivery. If damage is found, notify the supplier.

---

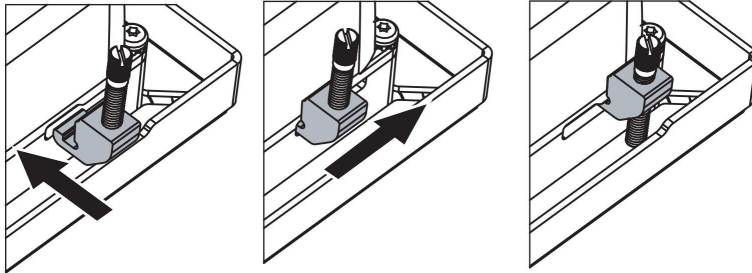
**Note:**

Place the operator panel on a stable surface during installation. Dropping the operator panel or letting it fall may cause damage.

---

2. To cut a correct opening for the operator panel, use the cut out dimensions in the outline drawing. A separate cut out drawing is available for download from the Beijer Electronics web site. For more information, see sections [Operator Panel Drawings](#) and [Technical Data](#).
3. Install the operator panel into the cutout.

- Secure the operator panel in position by inserting and sliding the terminal mounting clips into position as shown. Screw the slotted thumb screws clockwise, allowing the screws to tighten against the cabinet.



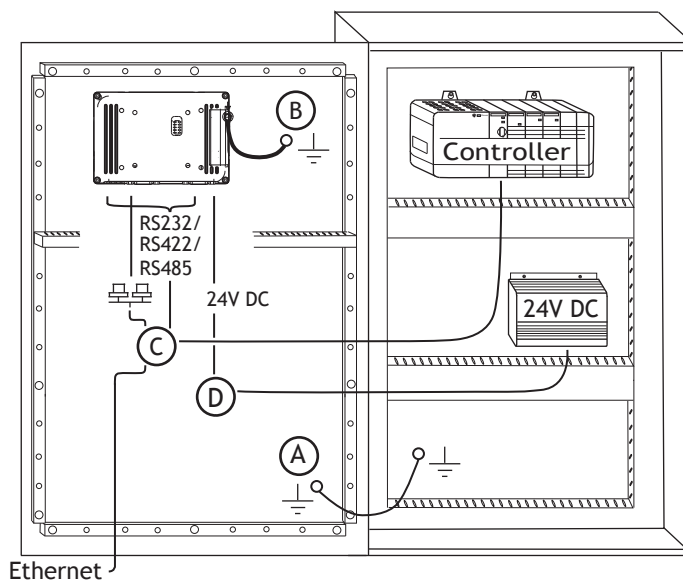
*Tighten the screws to  $0.7\text{ Nm} \pm 0.2\text{ Nm}$ .*

- In cases where the front panel seal is critical, install terminal mounting ring and use a torque wrench to ensure all screws are torqued within the specification above. For IP65 UL/NEMA Type 4X, Type 12, panel must maintain a flatness  $< 1\text{ mm}$  overall and  $< 0.05\text{ mm/mm}$  with a surface roughness,  $R_a < 1.6\text{ }\mu\text{m}$

- Connect the cables in the specified order, according to the drawing and steps below.

**Caution:**

- The operator panel must be brought to ambient temperature before it is started up. If condensation forms, ensure that the operator panel is dry before connecting it to the power outlet.
- Ensure that the operator panel and the controller system have the same electrical grounding (reference voltage level), otherwise errors in communication may occur.
- Ensure that the voltage and polarity of the power source is correct.
- Separate high voltage cables from signal and supply cables.
- Shielded communication cables are recommended.



*The image is illustrative only and may differ slightly from the actual panel.*

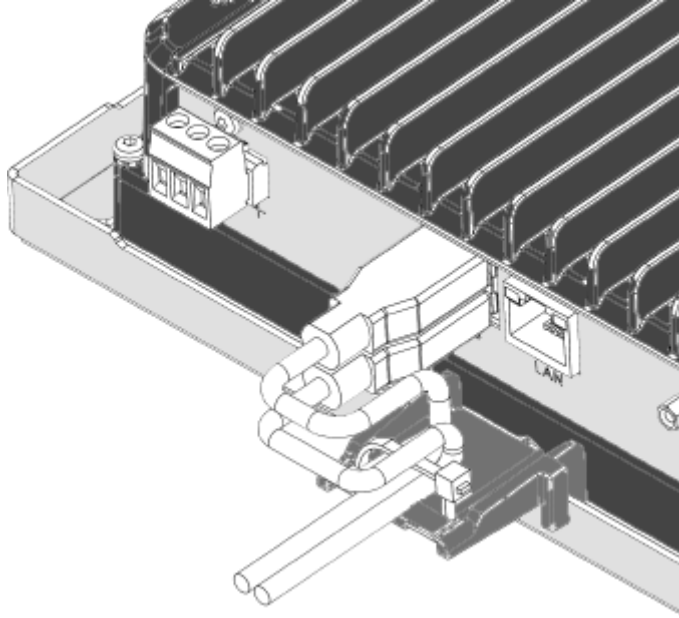
- Connect cable A.
  - Connect cable B, using 14-20 AWG (2.08–0.52 mm<sup>2</sup>), 180–220 N-cm torque.
  - Connect cable C.
  - Connect cable D. The recommended cross-section of the cable is 1.5 mm<sup>2</sup>.
- Carefully remove the protective film over the operator panel display, take care to avoid static electricity that could damage the panel.

### 3.2.1 Connections to the Controller

For information about the cables to be used when connecting the operator panel to the controller, please refer to the help file for the driver in question.

### 3.2.2 Hazardous Location Installation

Connect the desired cables and attach them to strain relief plate with cable ties provided.



### 3.2.3 Other Connections and Peripherals

Cables, peripheral equipment and accessories must be suitable for the application and its environment. For further details or recommendations, please refer to the supplier.

## 4 Technical Data

Parameter	X2 extreme 7 CO
Front panel, W × H × D	205 × 143 × 7 mm
Cut out dimensions, W × H	188±1 mm × 127±1 mm Maximum corner radius: 4 mm
Mounting depth	55 mm (155 mm including clearance)
Front panel seal	IP 65 UL/NEMA Type 4X, Type12
Rear panel seal	IP 20
Touch screen material	Polyester on glass, ITO film, resistive
Frame overlay	Autoflex EBA 180L
Touch screen operations	1 million finger touch operations
Reverse side material	Powder-coated aluminum
Frame material	Powder-coated aluminum
Weight	1.2 kg
CPU	i.MX 6DualLite Dual ARM Cortex-A9 Core 800 MHz 512 kB L2 cache
Serial ports	Standard D-sub (9 Pin, female) <b>COM1:</b> RS-232 with RTS/CTS <b>COM2:</b> RS-422/RS-485 <b>COM3:</b> RS-485 1×RS-232 Rx/Tx with RTS/CTS and 1×RS-422, or 2×RS-485 or 2×CAN 2.0B
Ethernet	10/100 Mbit Base-T (shielded RJ45 with LEDs)
USB	Standard USB Type A connector, dual stack horizontal Supports up to USB 2.0 High Speed
External storage media	1 × SD card
Flash memory (application memory)	1.5 GB SSD (eMMC)
Memory RAM	1 GB DDR3
NVRAM	N/A
LED	1 × Multi color
Real time clock	Yes
Battery	BR2330A/GAN lithium battery, non replaceable
Power consumption at rated voltage	10 W
Fuse	Internal DC fuse, 4 AT SMT

Parameter	X2 extreme 7 CO
Power supply	+24 VDC <b>CE:</b> The power supply must conform with the requirements according to EN/IEC 60950 and EN/IEC 61558-2-4. <b>UL and cUL:</b> The power supply must conform with the requirements for class 2 power supplies.
Display	TFT-LCD with LED backlight 800 × 480 pixels, 262k colors
Active area of display, W × H	7" diagonal
Pixel errors	Class I (ISO 9241-307)
Backlight brightness	500 cd/m <sup>2</sup>
Backlight lifetime	50,000 hours
Operating temperature	-10 °C to +50 °C
Storage temperature	-20 °C to +60 °C
Relative humidity in operation	5% - 95% non-condensation
Vibration	1g, according to EN/IEC 60068-2-6, Test Fc
Mechanical shock	10g, half-sine, 11ms according to EN/IEC60068-2-27
Approvals and certifications	CE / FCC / KC Information is available on <a href="http://www.bejerelectronics.com">www.bejerelectronics.com</a>
UL approval	Information is available on <a href="http://www.bejerelectronics.com">www.bejerelectronics.com</a> and/or <a href="http://UL.com">UL.com</a>
Marine certificates	Information is available on <a href="http://www.bejerelectronics.com">www.bejerelectronics.com</a>

## 5 Chemical Resistance

### 5.1 Metal Casing

The frame and casing material is powder-coated aluminum. This powder paint withstands exposure to the following chemicals without visible change:

Acetic acid 10%	Phosphoric acid 4%
Citric acid 10%	Phosphoric acid 10%
Diesel	Sea water
Distilled water	Sodium chloride 2%
Edible oil	Sodium chloride 20%
Fuel oil	Sulphuric acid 20%
Hydrogen peroxide 3%	Tap water

The powder paint shows limited resistance to the following chemicals at room temperature:

Butanol	Nitric acid 3%
Hydrochloric acid 5%	Nitric acid 10%
Isopropyl alcohol	Phosphoric acid 43%
Sodium hypochlorite 10%	Turpentine

---

**Note:**

If exposure to any of the above chemicals is demanded, it is recommended to first test the chemical in a hidden spot of the metal casing.

---

The powder paint shows little or no resistance to the following chemicals at room temperature:

Acetic acid, conc.	Methyl-ethyl ketone	Toluene
Acetone	Nitric acid 30%	Trichlorethylene
Ammonia 5%	Phenol	Xylene
Ammonia, conc.	Sodium hydroxide 5%	97 octane unleaded petrol
Ethyl acetate	Sodium hydroxide 30%	98 octane leaded petrol

### 5.2 Touch Screen and Overlay Material

#### 5.2.1 Protective Film

Autoflex EBA 180L covers the overlay surrounding the screen.



## Solvent Resistance

The protective film withstands exposure of more than 24 hours duration under DIN 42 115 Part 2 to the following chemicals without visible change:

Acetonitrile	Diesel	Petroleum spirit <sup>(1)</sup>
Ajax / Vim in solution	Downy / Lenor <sup>(1)</sup>	Phosphoric acid (<30%)
Alkalicarbonate solution <sup>(1)</sup>	Ethanol	Potassium ferricyanide
Ammonia (<40%) <sup>(1)</sup>	Glycerine	Potassium hydroxide (<30%)
Acetic acid (<50%)	Glycol	Pure Turpentine
Ariel powder in solution <sup>(1)</sup>	Gumption <sup>(1)</sup>	SBP 60/95 <sup>(1)</sup>
Bleach <sup>(1)</sup>	Hydrochloric acid (<36%)	Sulfuric acid (<10%)
Castor oil	Linseed oil	Tomato ketchup
Caustic soda (<40%) <sup>(1)</sup>	Methanol	Trichloroacetic acid (<50%)
Cutting oil	Nitric acid (<10%)	White Spirit
Cyclohexanol	Paraffin oil	Windex <sup>(1)</sup>
Diacetone alcohol	Persil powder in solution <sup>(1)</sup>	

<sup>(1)</sup> Extremely faint glossing of the texture was noted.

The Autoflex protective film withstands DIN 42 115 Part 2 exposure of up to 1 hour duration to glacial acetic acid without visible change.

The Autoflex protective film is not resistant to high pressure steam at over 100 °C or the following chemicals:

Concentrated mineral acids	Benzyl alcohol
Concentrated caustic solution	Methylene chloride

## 5.2.2 Touch Screen Surface

The touch screen surface on the operator panel withstands exposure to the following solvents without visible change:

Solvents	Time
Acetone	10 minutes
Isopropanol	10 minutes
Toluene	5 hours

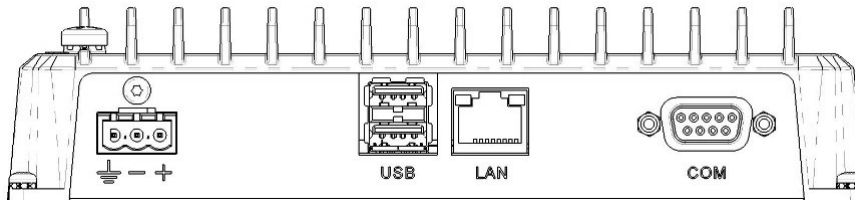
The touch screen surface on the operator panel is made of polyester with a hard coat to resist scratches and withstand exposure to many solvents without visible change.

## 5.2.3 Touch Screen Protector

For harsh environments and exposure to outdoor conditions, it is recommended to use a protective film to guard the touch screen from damage. This optional part can be ordered from Beijer Electronics.

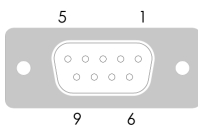
## 6 Operator Panel Drawings

### 6.1 Connectors



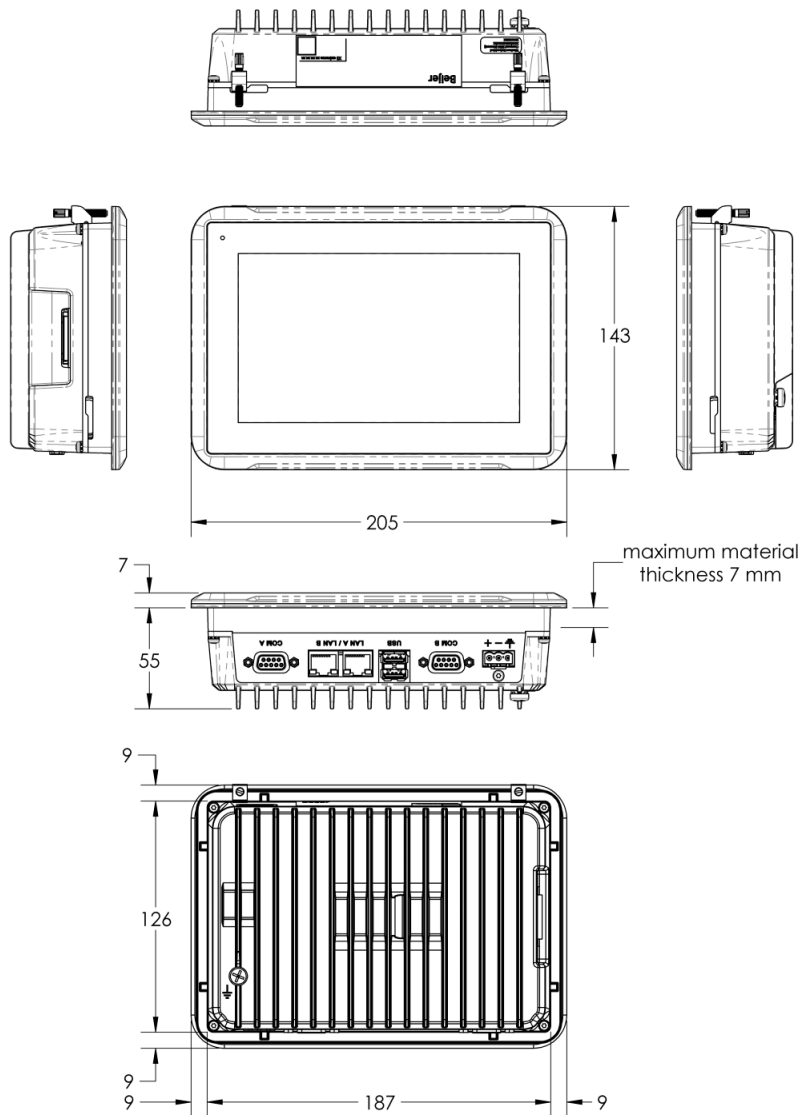
Pos.	Connector	Description
1	Power supply	+24 V DC
2	USB	2×USB Host 2.0, max output current 500 mA
3	LAN	1×10/100 Base-T (shielded RJ45)
4	COM	Serial communication port

#### 6.1.1 Communication Ports



*Serial connector*

## 6.2 X2 extreme 7 CO Outline

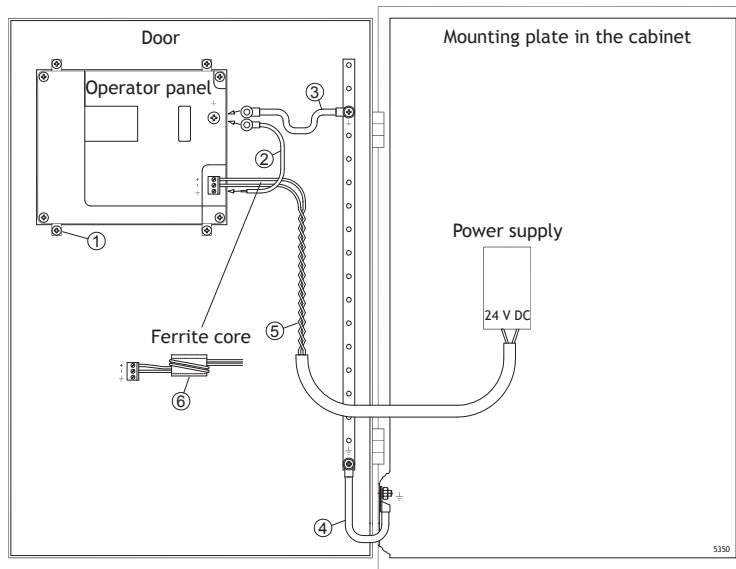
**Note:**

A Step CAD file is available on the web site [www.beijerelectronics.com](http://www.beijerelectronics.com)

## 7 Additional Installation Tips

When experiencing communication problems in noisy environments or when operating close to temperature limits, the following recommendations are to be noticed.

### 7.1 Grounding the operator panel



The mounting clamps of the operator panel do not provide a secure grounding connection between the panel and the device cabinet, see 1 in drawing above.

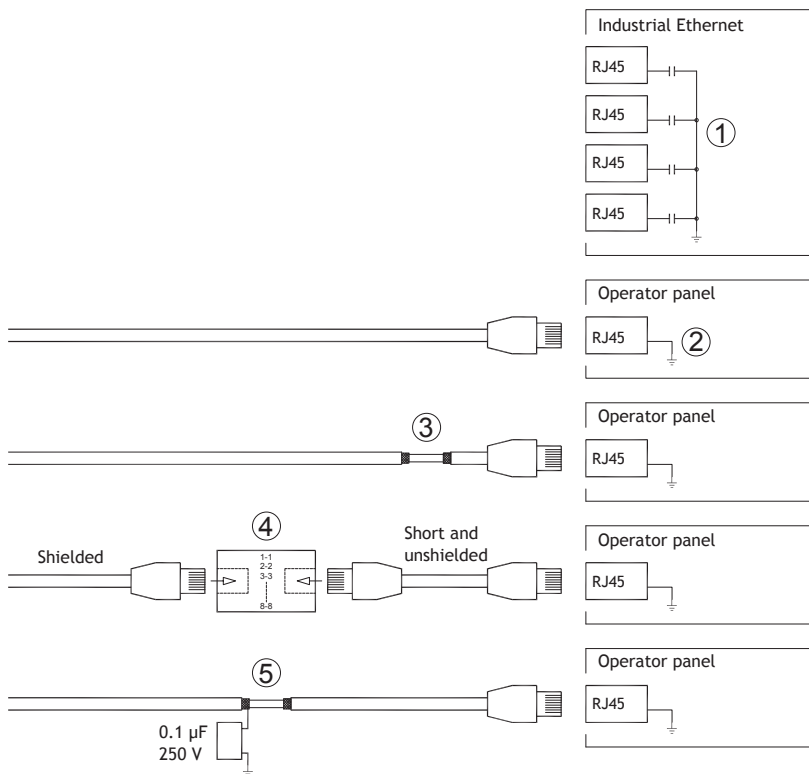
1. Connect a wire, that is sized correctly according to local electrical codes, between the quick-connect terminal connector on the operator panel and the chassis of the panel, see 2 in drawing above.
2. Connect a wire or grounding braid, that is sized correctly according to local electrical codes, between the chassis of the operator panel and the closest grounding point on the door, see 3 in drawing above.
3. Connect a strong but short grounding braid between the door and the device cabinet, see 4 in drawing above.
4. Twist the cables onto the 24 V DC feed, see 5 in drawing above.
  - 2 turns around the ferrite core provide 4 times the suppression of 1 turn.
  - 3 turns around the ferrite core provide 9 times the suppression of 1 turn.

Connect a wire or grounding braid, that is sized correctly according to local electrical codes, between the chassis of the operator panel and the closest grounding point.

**Note:**

The grounding wires should be short and the conductor should have a large area. A long, thin grounding wire has a very high impedance (resistance) at high frequencies and does not guide disturbances to the ground. Multi-wire conductors are better than single wire conductors with the same area. A braided conductor wire with the same area is even better. The best is a short, thick grounding braid.

## 7.2 Ethernet Connection in the Operator Panel



In some industrial units for Ethernet, the RJ45 contact's shield is connected to the chassis via a capacitor, see 1 in drawing above.

The operator panel's Ethernet shield is directly connected to the chassis, see 2 in drawing above.

1. Check whether the other Ethernet unit has its shield directly grounded or grounded via a capacitor.

**Note:**

In many cases, connecting the shielded Ethernet cabling to the chassis at both ends is inappropriate. Hum or grounding loops can occur. Unshielded cabling may even result in fewer communication errors.

A good solution may be to use a shielded Ethernet cable, but to connect the shield at one end only.

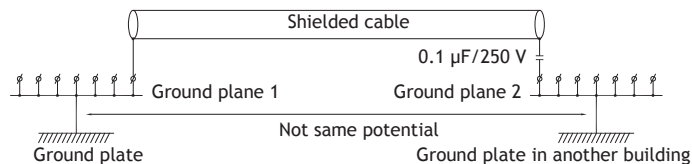
One option is to break the shield, see 3 in drawing above.

A more elegant method is to expand the shielded Ethernet cabling with a piece of unshielded Ethernet cable, see 4 in drawing above.

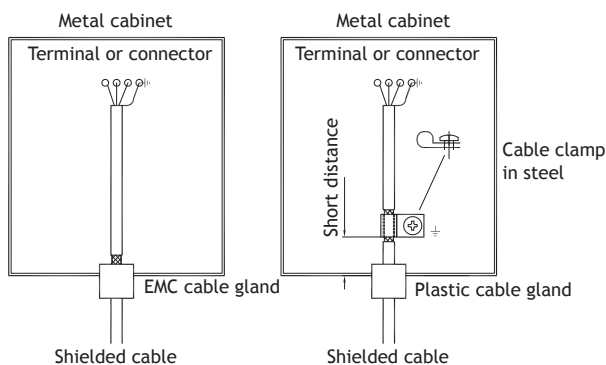
The shield can be grounded via an external  $0.1 \mu\text{F}/250 \text{ V}$  film capacitor, see 5 in drawing above. This connects the HF transients to ground.

## 7.3 To Achieve Better EMC Protection

- Initially, use the original cabling from Beijer Electronics primarily.
- Place the 24 V DC and communications cabling in one cable trunk/cable duct and 230/380 V AC in another. If the cables need to be crossed, cross them at  $90^\circ$  only. Avoid combining the cabling for stronger 24 V DC outputs with the communication cabling.
- Initially, use the original cabling from Beijer Electronics primarily.
- Use shielded cables for RS-232 communication.
- Use twisted pair and shielded cabling for RS-422 and RS-485.
- Use the cabling intended for the bus type; Ethernet, Profibus, CC-Link, CAN, Device Net etc.
- Use the cabling intended for the bus type; Ethernet and CAN
- Install and connect according to applicable specifications for the relevant bus standard.
- Use shielded cabling for Ethernet, preferably with foil and a braided shield.
- D-sub covers should be shielded, and the shield should be connected to the cover  $360^\circ$  where the cable enters.
- Connect the shield at both ends.



With longer distances, there is a risk that the ground potential may be different. In that case, the shield should only be connected at one end. A good alternative is to connect the other end of the shield to the ground via a  $0.1 \mu\text{F}/250 \text{ V}$  film capacitor. Both ends are then connected to the ground in terms of HF, but only connected to the ground at one end in terms of LF, thus avoiding the 50/60 Hz grounding loops.



1. Use an EMC cable gland or regular plastic cable gland, remove the outer jacket and connect the shield to the installation plate with a 360° metal cable clamp.
2. Place the 24 V DC and communications cabling in one cable trunk/cable duct and 230/380 V AC in another. If the cables need to be crossed, cross them at 90° only. Avoid combining the cabling for stronger 24 V DC outputs with the communication cabling.

Ferrite cores that are snapped onto the shielded cabling may remove minor disturbances. Large ferrite pieces that are snapped onto unshielded cabling and where the wires go 2-4 times around the cores are approximately 5-25 times more efficient.

Condition	Standard Compass	Steering Compass
Non-energized	15 cm	10 cm
Non-energized after magnetization	40 cm	25 cm
Energized and operating	15 cm	10 cm

Condition	Standard Compass	Steering Compass
Non-energized	40 cm	25 cm
Non-energized after magnetization	40 cm	25 cm
Energized and operating	40 cm	25 cm

Condition	Standard Compass	Steering Compass
Non-energized	25 cm	15 cm
Non-energized after magnetization	30 cm	20 cm
Energized and operating	30 cm	20 cm

Condition	Standard Compass	Steering Compass
Non-energized	65 cm	50 cm
Non-energized after magnetization	70 cm	50 cm
Energized and operating	65 cm	50 cm



Condition	Standard Compass	Steering Compass
Non-energized	70 cm	55 cm
Non-energized after magnetization	80 cm	60 cm
Energized and operating	80 cm	55 cm

Condition	Standard Compass	Steering Compass
Non-energized	75 cm	55 cm
Non-energized after magnetization	80 cm	55 cm
Energized and operating	75 cm	55 cm

Condition	Standard Compass	Steering Compass
Non-energized	60 cm	45 cm
Non-energized after magnetization	70 cm	50 cm
Energized and operating	70 cm	50 cm

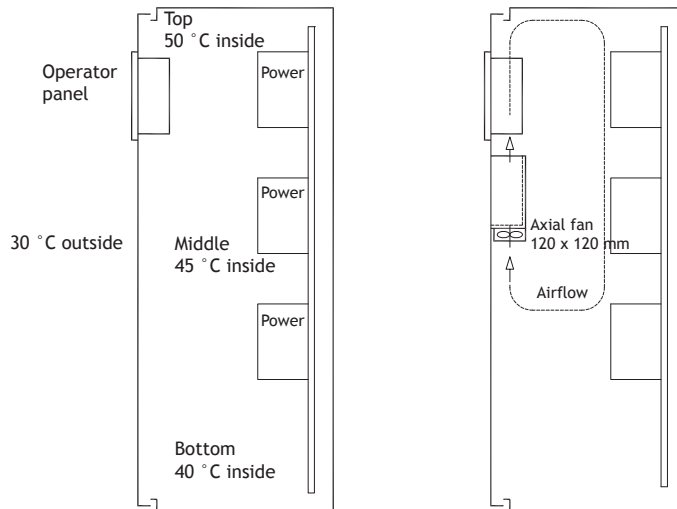
Condition	Standard Compass	Steering Compass
Non-energized	60 cm	35 cm
Non-energized after magnetization	75 cm	50 cm
Energized and operating	70 cm	45 cm

Condition	Standard Compass	Steering Compass
Non-energized	60 cm	40 cm
Non-energized after magnetization	70 cm	45 cm
Energized and operating	60 cm	40 cm

Condition	Standard Compass	Steering Compass
Non-energized	80 cm	60 cm
Non-energized after magnetization	100 cm	70 cm
Energized and operating	85 cm	65 cm

## 7.4 Ambient Temperature

The maximum ambient temperature for the operator panel is provided in the specifications. The ambient temperature refers to the temperature in the device cabinet which cools the operator panel's electronics.



In most cases, the ambient temperature for the operator panel is significantly higher than the device cabinet's ambient temperature.

If the cabinet is tall and there are a number of heat-generating devices, the temperature at the top of the cabinet is considerably higher than the temperature increase that would be expected. All electronics are sensitive to heat. The lifespan of an electrolytic capacitor is cut in half with an 8-10 °C increase in temperature. A 15-20 °C temperature increase results in a quarter of the lifespan etc.

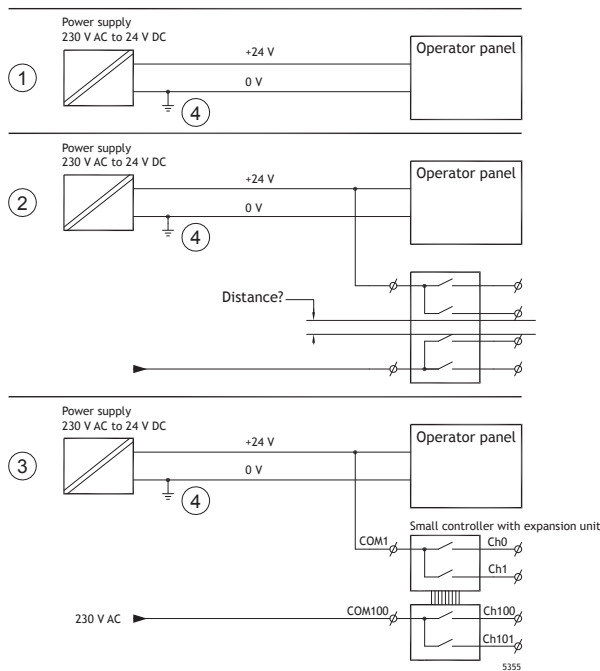
Rittal has a good program for estimating the anticipated average temperature in the cabinet as well as a large program for controlling the temperature in the device cabinet.

An enamel-coated steel cabinet has a radiant heat value of 5.5 W/m<sup>2</sup> per degrees C. Installing a fan inside the cabinet evens out the temperature, while moving air provides considerably better cooling than still air.

Install the fan so that it sits in a cooler area and blows cold air against the operator panel. If the fan is mounted at the top and sucks warm air upwards, the ambient temperature of the fan becomes higher, resulting in a shorter lifespan.

An approximate value of the net power consumption for the operator panel can be calculated by multiplying the supply voltage with the current drawn by the operator panel. This is assuming that all supplied power is transformed to heat.

## 7.5 Safety



If a power supply that meets safety standards is used and only powers the operator panel, there is no problem. See 1 in drawing above.

However, if a 24 V unit that also powers other units is used, there is reason to be cautious, see 2 in drawing above. The operator panel does not have insulation that meets safety requirements in the event of a potential short circuit between 230 V AC and 24 V DC. It is assumed that the 24 V power supply is secure, for example, SELV according to EN 60950 (protection against electric shock) and UL 950.

### Note:

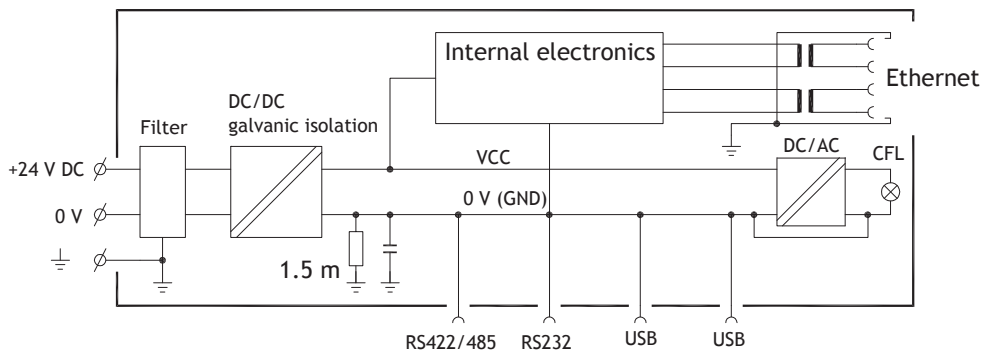
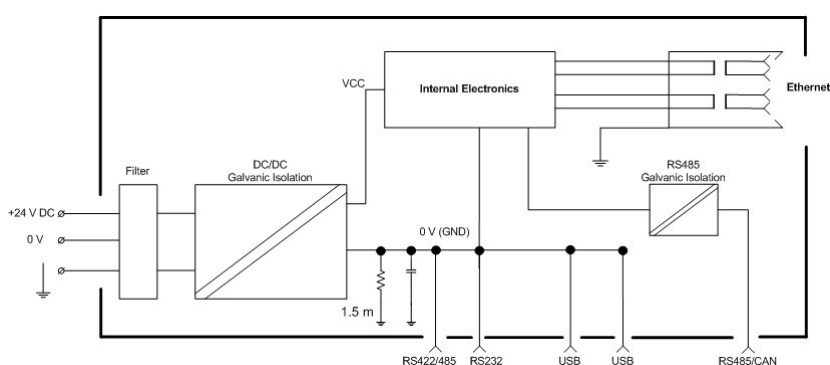
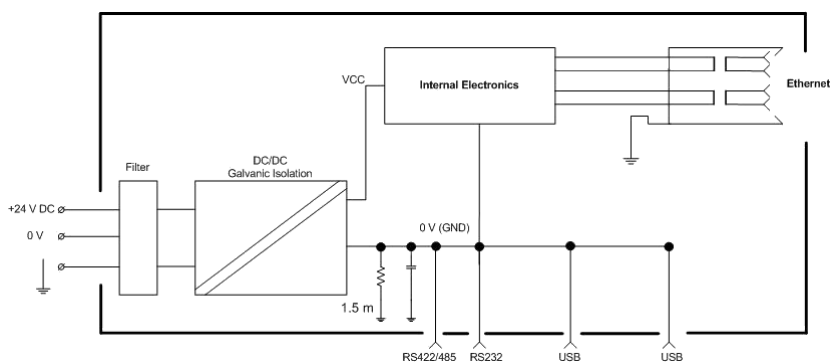
Here is an example that explains why a secure 24 V DC power supply can be ruined by mixing 24 V relay contacts with 230 V AC relay contacts in a smaller controller. Check that the clearances and creepage distances between 24 V DC and 230 V AC fulfill EN 60950 or UL 950. If not, input a separate 24 V unit into the operator panel.

If there is a substantial distance between the relay contacts for 24 V DC and 230 V AC, it is OK to use the same 24 V devices for all feeds. See 3 in drawing above.

Connect 0 V on the 24 V power supply to the ground, see 4 in drawing above. This offers three advantages:

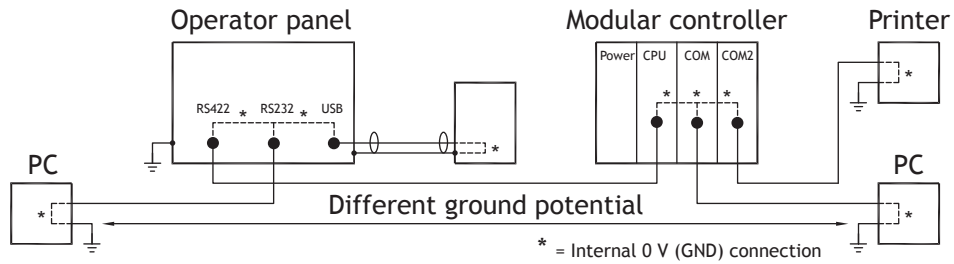
- Safety is increased. The 24 V power supply is not live in the event of a faulty connection or short circuit between 0 V (24 V) and 230 V phase.
- Transients on the 24 V feed are connected to the ground.
- No risk that the 24 V feed is at a high level in relationship to the ground. This is not unusual since there is high static electricity.

## 7.6 Galvanic Isolation



The operator panel has galvanic isolation against the 24 V DC power supply but no galvanic isolation between the communication ports for RS-232, RS-422/RS-485 and USB. Only the Ethernet connection has galvanic isolation.

The operator panel has galvanic isolation against the 24 V DC power supply but no galvanic isolation between the communication ports for RS-232, RS-422/RS-485 and USB. Only the Ethernet- and RS-485 connection have galvanic isolation.



When a PC is connected to the operator panel, the internal 0 V (GND) of the panel is connected to the protective ground via the PC.

A number of USB devices can have the shield connected together with the protective ground. Here, the 0 V (GND) of the operator panel is connected to the protective ground when, for example, a USB memory stick, keyboard, or similar device is plugged in.

If a number of units are connected that have a 0 V and a ground connection, and these are connected to various grounding points, there is a substantial risk of problems. Grounding currents go through communication cables, the rear plate of the controller, internally in the operator panel, and can cause errors.

Use external units to improve communication and achieve galvanic isolation. Westermo has good industry-standard insulators that are also insulated from the 24 V DC feed.

---

**Note:**

It is very important to make sure that the 24 V feed in the external insulation unit is not connected to one of the communication outlets. If it does not have 100% insulation against the 24 V feed, disturbances and grounding currents from the 0 V on the 24 V side disrupt the communication.

Using this type of unit solves one problem but creates a larger problem! A substandard installation may work now, but problems may arise when other devices are connected.

---

## 7.7 Cable and Bus Termination RS-485

- If maximum transfer distance and maximum transfer speed is needed, shielded and twisted pair cable should be used. The mutual capacitance may not exceed 52.5 pF/m, and the cable area should be at least 0.25 mm<sup>2</sup> (AWG 24).
- 0 V, the reference voltage for communication should be included in the cabling. With two-way communication use two pairs; one pair for communication and one pair for 0 V.
- The shield must be grounded at one end. The other end is usually grounded, but with longer distances or when there is a difference in the ground potential, the shield should be connected to the ground via 0.1 µF/250 V film capacitor to prevent ground current in the braided shield. A number of manufacturers recommend that the shield be grounded at each node. Various manufacturers have different systems for bus termination.

Depending on the recipients' design, the bus wires may be on the same level or require pull-up or pull-down to ensure that no faulty signals are detected when the bus is in resting mode (all transmitters are disconnected).

# Beijer

ELECTRONICS

---

**Head office**

Beijer Electronics AB

Box 426

201 24 Malmö, Sweden

[www.beijerelectronics.com](http://www.beijerelectronics.com) / +46 40 358600