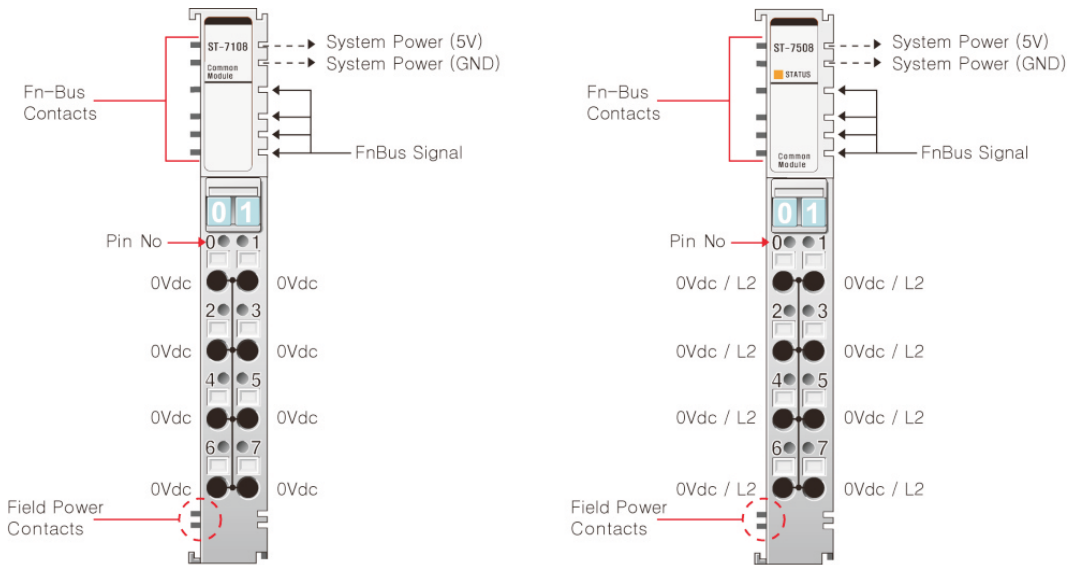


ST-7108, ST-7508

Common, 8 Channels, 0Vdc (ST-7108)
8 Channels, 0Vdc, ID Type (ST-7508)



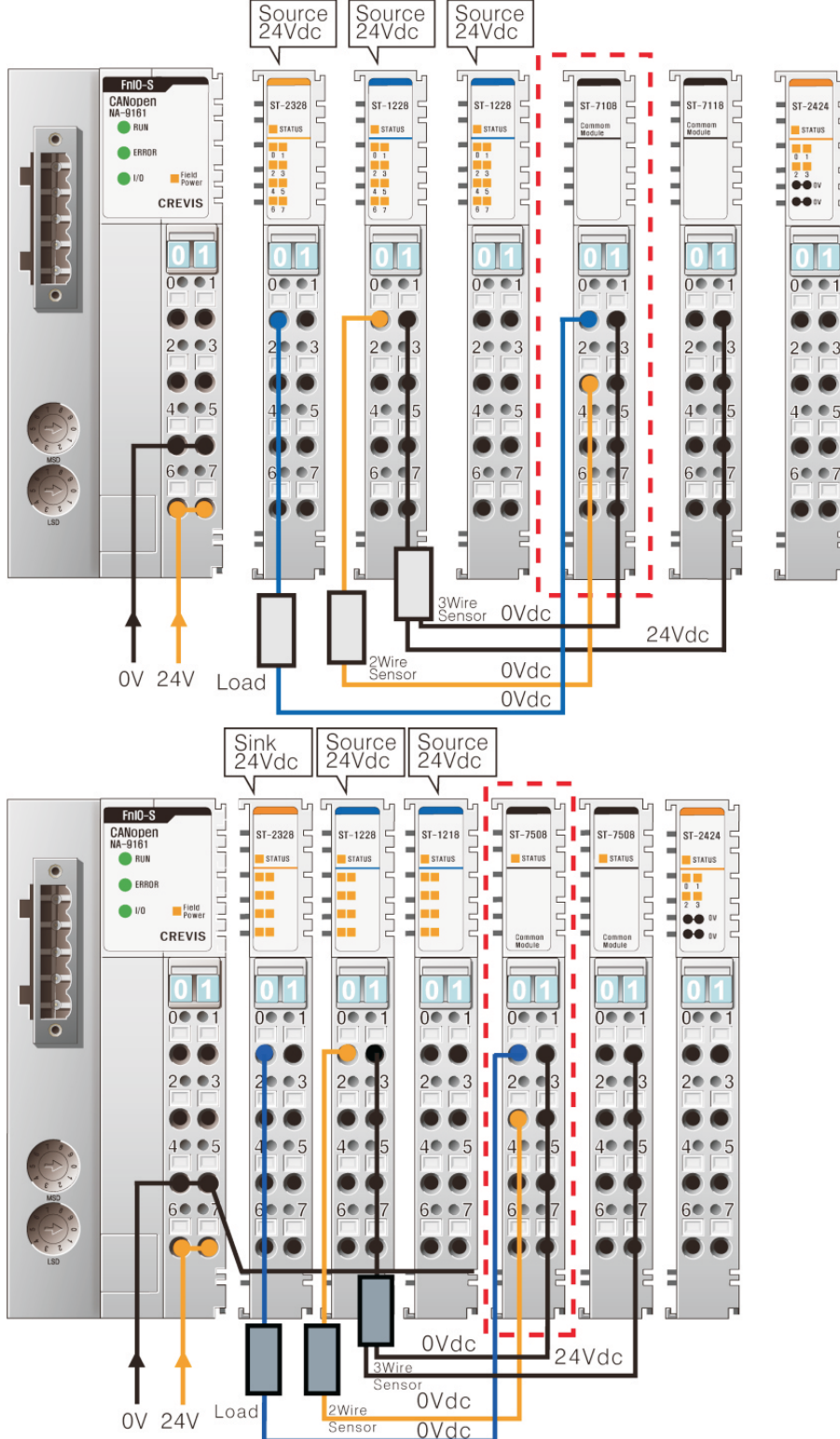
Item	ST-7108	ST-7508
Input Specification		
Field Power Voltage	0V	
Contacts Current	Max. 10A	-
Indicators	N/A	1 Green/Red LED, Module Status
Field Power Contacts Current	-	Max. 10A
Fn-Bus Power Contactor	-	Yes
Operating Temperature	-20 to +60 °C	-
Storage Temperature	-45 to +85 °C	-
Specification		
	Output Specification	General Specification
System Power Dissipation	-	Max. 18mA @5Vdc
Wiring	I/O Cable Max. 2.0mm ² (AWG#14)	
Weight	65g Max.	
Module Size	12mm x 99mm x 70mm	
Environment Condition	Refer to "Environment Specification"(page : 1-191)	
Pin No.	Description	Description
0	0 Vdc	0 Vdc / L2
1	0 Vdc	0 Vdc / L2
2	0 Vdc	0 Vdc / L2
3	0 Vdc	0 Vdc / L2
4	0 Vdc	0 Vdc / L2
5	0 Vdc	0 Vdc / L2
6	0 Vdc	0 Vdc / L2
7	0 Vdc	0 Vdc / L2
-	-	-
-	-	-
-	-	-
-	-	-
-	-	-
-	-	-
-	-	-
-	-	-
-	-	-
-	-	-
-	-	-
-	-	-
-	-	-
-	-	-
-	-	-
-	-	-
-	-	-
-	-	-
-	-	-
-	-	-
-	-	-
-	-	-
-	-	-
-	-	-
-	-	-
-	-	-
-	-	-
-	-	-
-	-	-
-	-	-
-	-	-
-	-	-
-	-	-
-	-	-

Power Module

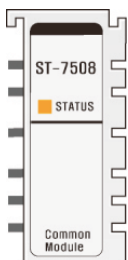
Example :

The ST-7108, ST-7508 provides 0V.

If you have a setup where an external device near the FnIO module needs a ground(0V), you can simply use the ST-7508 as a common module.



Status LED



Status	STATUS LED is	Indicates
Not Power	OFF	Device has no expansion Module or May Not is Power.
No Initialized		The Parameter is not initialized yet
Fn-Bus Connection	Green	Fn-Bus Normal Operation
Fn-Bus Ready	Flashing Green	Fn-Bus Ready
Fn-Bus Fault	Flashing Red	Fn-Bus failed Communication
Device Fault	Red	Device Fault