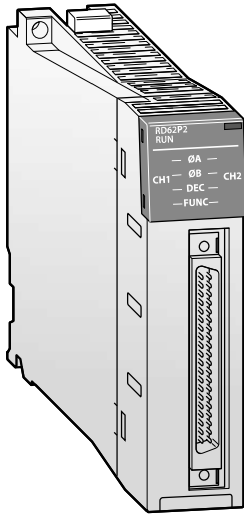


High-speed counter and channel isolated pulse input module



The MELSEC iQ-R series counter modules RD62□ are capable of 200 k pulse/s for the DC input type, and 8 M pulse/s for differential input. When used with a high-accuracy incremental encoder, positional tracking can also be realized. The pulse measurement feature enables measuring of the pulse cycle.

The channel isolated pulse input module RD60P8-G can measure the number of input pulses such as for speed, rotation speed, instantaneous flow rate and also measure quantity, length, and cumulative flow rate. The input pulse value is updated every 10 ms, with the cumulative count value and number of pulses (sampling pulse), after moving average processing, updated at every count cycle setting value.

Special features:

High-speed counter:

- Pulse code or pulse measurement
- High-speed PWM output up to 200 kHz with a minimum 100 ns pulse width

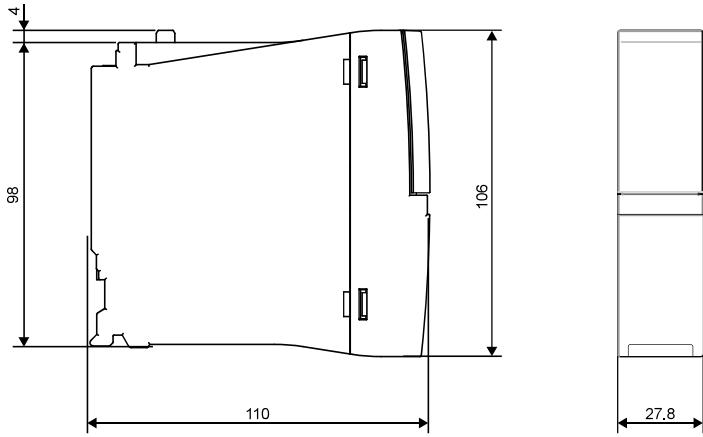
Channel isolated pulse input module:

- Multiple pulse input functions embedded

Specifications	RD62P2	RD62P2E	RD62D2	RD60P8-G*	
Number of channels	2			8	
Count input signal	Phase	1-phase-input (multiple of 1 or 2), CW/CCW input, 2-phase input (multiple of 1, 2 or 4)		1-phase-input	
	Signal levels	5/12/24 V DC (2–5 mA)		5/12/24 V DC	
Max. counting frequency	200 kHz			100 kHz	
Max. counting speed	200 kHz		8 MHz	100 kHz	
Counting range	32-bit, signed binary, -2147483648–2147483647			Sampling pulse number: 16-bit, unsigned binary, 0–32767 Accumulating count value: 32-bit, unsigned binary, 0–99999999 Input pulse value: 32-bit, unsigned binary, 0–2147483647	
Counter type	Linear counter, ring counter				
Comparison range	32-bit, signed binary				
External digital input points	Preset, function start			—	
	Nominal values	5/12/24 V DC (7–10 mA)		5/12/24 V DC (7–10 mA) (RS422A)	
External digital output points (coincidence signal)	2 points/channel 12/24 V DC 0.5 A/point, 2 A/common (sink)	2 points/channel 12/24 V DC 0.1 A/point, 0.4 A/common (source)	2 points/channel 12/24 V DC 0.5 A/point, 2 A/common (sink)	—	
Occupied I/O points	16			32	
Connection terminal	40-pin connector			18-point removable terminal block with screws	
Applicable wire size	0.088–0.3 (A6CON1/4) 0.088–0.24 (A6CON2)			0.3–0.75	
Internal power consumption (5 V DC)	110 mA	200 mA	170 mA	720 mA	
Weight	0.11 kg	0.12 kg		0.23 kg	
Dimensions (WxHxD)	27.8x106x110 mm			27.8x106x131 mm	
Order information	Art. no.	279566	279568	279567	411029
Accessories	40-pin connector and ready to use connection cables > refer to chapter 6				

* Withstand voltage: Between I/O terminals and programmable controller power supply: 500 V AC rms for 1 minute; 1780 V AC for 1 minute between channels
Isolation resistance: Between I/O terminals and programmable controller power supply: 10 MΩ or higher, at 500 V DC; 10 MΩ or higher, at 500 V DC between channels

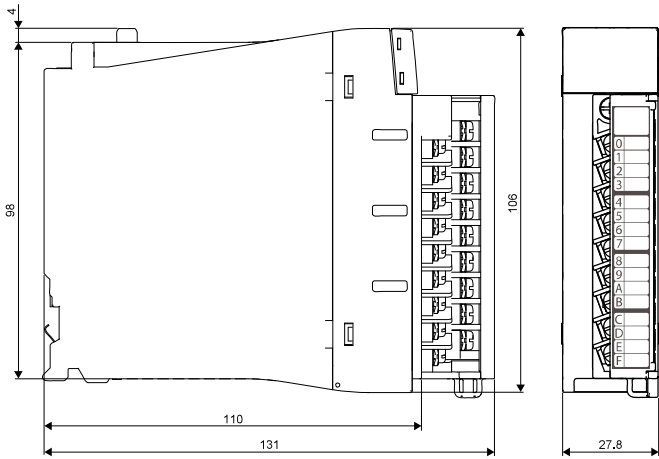
■ Safety function module and safety CPU



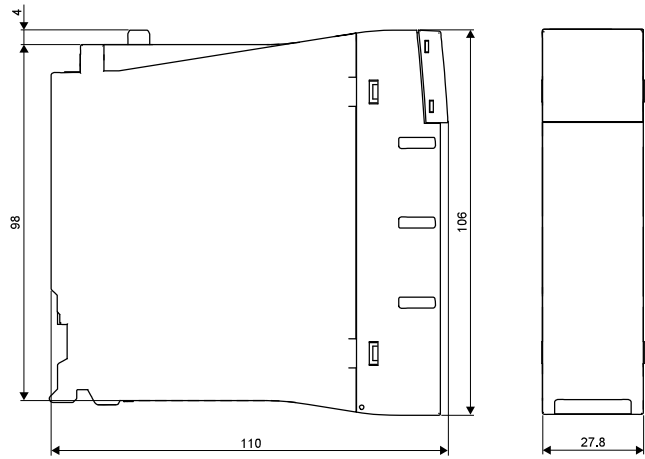
Unit: mm

■ I/O modules, blank cover module and special function modules

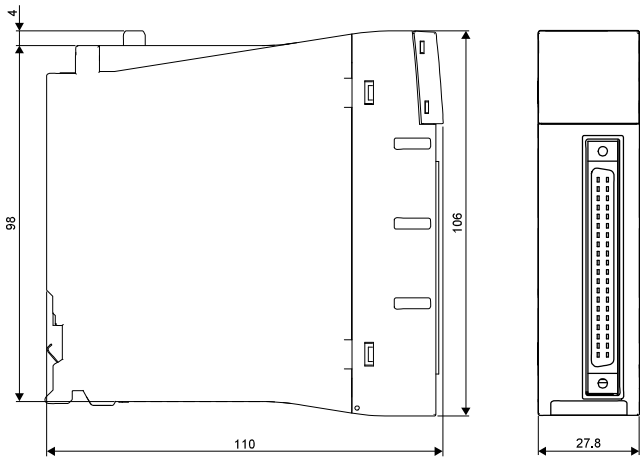
18-point screw terminal block



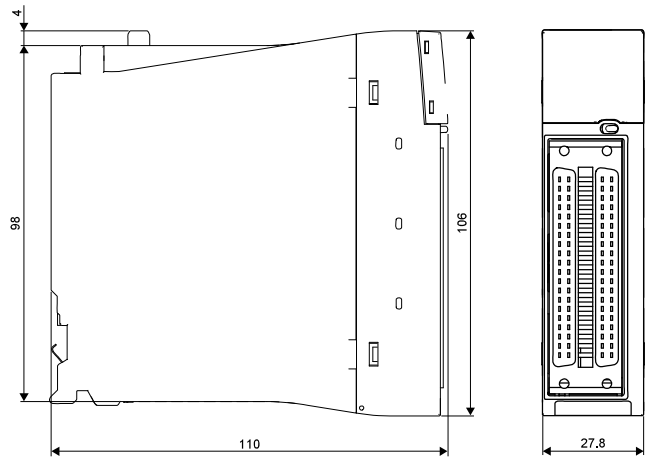
Blank cover module



40-pin connector, 32 points module



40-pin connector, 64 points module



Unit: mm