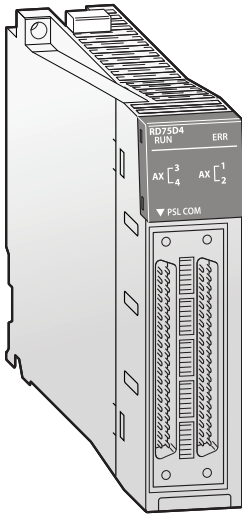


■ Positioning modules



The MELSEC iQ-R series offers a choice of two positioning modules, transistor output or differential drive output, depending on the connected amplifier. The modules are capable of transmission speeds up to 5 M pulses/s, and the differential driver output module supports wiring up to a distance of 10 m. It can be used in positional control or speed control, and features include linear, circular, and helical interpolation, which is a complex control required for deep-thread milling applications.

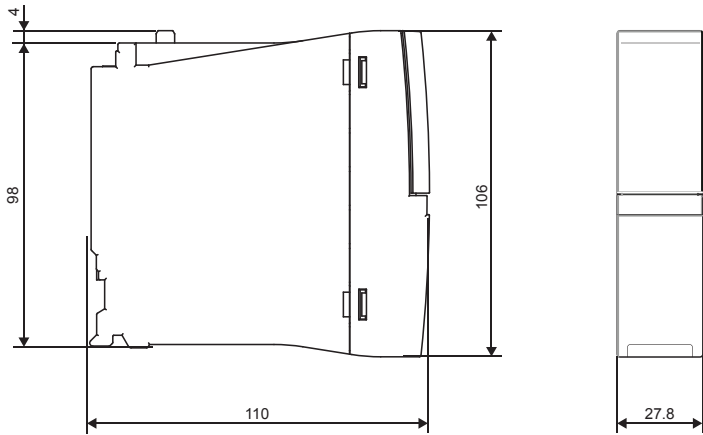
**Special features:**

- Various positional control
- Multiple startup options
- Helical interpolation

Specifications		RD75D2	RD75D4	RD75P2	RD75P4
Number of control axes		2	4	2	4
Interpolation	pulse/s	2-axis linear interpolation, 2-axis circular interpolation	2-/3-/4-axis linear interpolation, 2-axis circular interpolation, 3-axis helical interpolation	2-axis linear interpolation, 2-axis circular interpolation	2-/3-/4-axis linear interpolation, 2-axis circular interpolation, 3-axis helical interpolation
Positioning	Data items	600	600	600	600
	Method	PTP control: absolute data and/or incremental; speed-position switching control: absolute data and/or incremental; position-speed switching control: incremental path control: absolute data and/or incremental			
	Control range	Absolute data: -2 147 483 648 – 2 147 483 647 pulse -21 474 836 48 – 214 748 364.7 μm -21 474.83648 – 21 474.83647 inch 0 – 359.99999 degree  Inkremental method: -2 147 483 648 – 2 147 483 647 pulse -214 748 364.8 – 214 748 364.7 μm -21 474.83648 – 21 474.83647 inch -21 474.83648 – 21 474.83647 degree			
	Speed	Speed/position switching control: 0 – 2 147 483 647 pulse 0 – 21 474 836 47 μm 0 – 21 474.83647 inch 0 – 21 474.83647 degree ①			
	Acceleration/deceleration processing	Trapezoidal acceleration/deceleration, S-curve acceleration/deceleration			
	Acceleration and deceleration time ms	1–8388608 (4 patterns each can be set)			
Start time	0.3–1.8 ms (depends on type of control); 8–20 μs with quick start function				
Max. output pulse	kpps	200	5000	200	5000
Output type		Differential driver	Differential driver	Open collector	Open collector
Output signal		Pulse chain	Pulse chain	Pulse chain	Pulse chain
External connection		40-pin connector	40-pin connector	40-pin connector	40-pin connector
Applicable wire size		mm <sup>2</sup> 0.088–0.3 (A6CON1/4) 0.088–0.24 (A6CON2)	0.088–0.3 (A6CON1/4) 0.088–0.24 (A6CON2)	0.088–0.3 (A6CON1/4) 0.088–0.24 (A6CON2)	0.088–0.3 (A6CON1/4) 0.088–0.24 (A6CON2)
Internal power consumption (5 V DC)		A 0.38	0.54	0.42	0.78
Occupied I/O points		32	32	32	32
Weight		kg 0.14	0.15	0.15	0.15
Dimensions (WxHxD)		mm 27.8x106x110	27.8x106x110	27.8x106x110	27.8x106x110
<b>Order information</b>		Art. no. 279564	279565	279562	279563
<b>Accessories</b>		40-pin connector and ready to use connection cables > refer to chapter 5			

① Speed-position switching control (ABS mode): 0–359.99999 degree. The ABS mode can be used only when the control unit is degree.

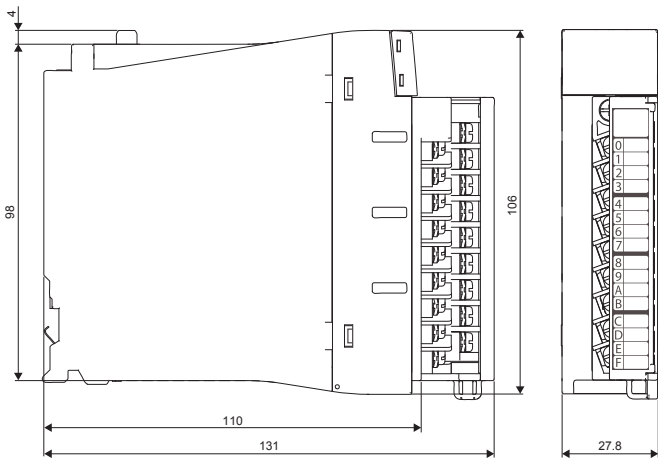
■ Safety function module and safety CPU



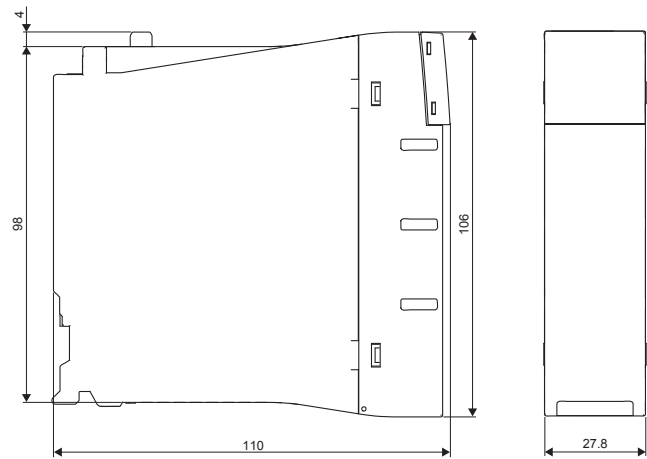
Unit: mm

■ I/O modules, blank cover module special function modules

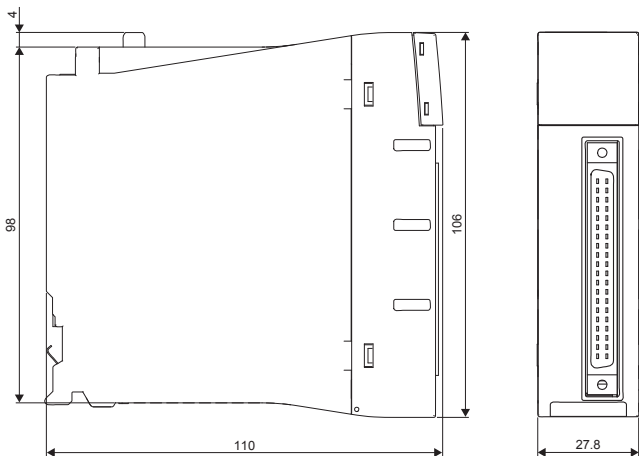
18-point screw terminal block



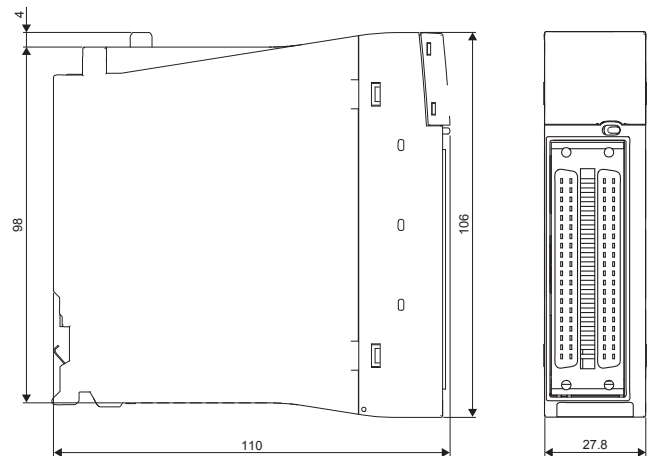
Blank cover module



40-pin connector, 32 points module



40-pin connector, 64 points module



Unit: mm