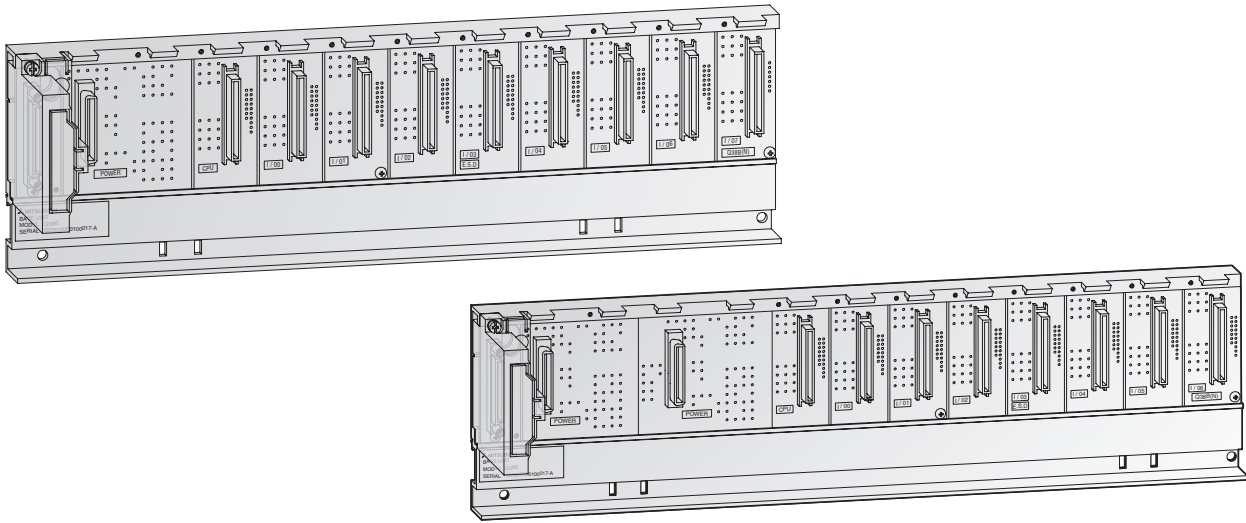


**Main Base Units**



**Main base unit**

The main base unit is used for holding and coupling CPUs, power supply unit, input modules, output modules, special function modules and field bus connections.

**Special features:**

- Module addressing is automatic and it is assumed that the base units have 8 slots. Sixteen addresses are assigned to empty slots and non-existent slots (in base units with less than 8 slots). The automatic addressing can be changed with the I/O Assignment function.
- Base units with slots for two redundant power supplies increase the availability of the system.
- The units are mounted by means of screws or on a profiled rail with an integrated adapter.

Specifications	Q325B	Q33B	Q335B	Q35B	Q355B	Q35DB	Q38B	Q38DB*	Q38RB*	Q312B*	Q312DB*	
Slots for I/O modules	2	3	3	5	5	5	8	8	8	12	12	
Slots for power supply modules	1	1	1	1	1	1	1	1	2	1	1	
Installation	All base units provide installation holes for M4 screws.											
Dimensions (WxHxD)	mm	114x98x18.5	189x98x44.1	142x98x18.5	245x98x44.1	197.5x98x18.5	245x98x44.1	328x98x44.1	328x98x44.1	439x98x44.1	439x98x44.1	439x98x44.1
<b>Order information</b>	Art. no.	147273	136369	147284	127586	147285	249091	127624	207608	157573	129566	207609
<b>Accessories</b>	Connection cables (refer to page 56); adapter for DIN rail mounting (refer to page 60)											

\* These base units are required for the new iQ Platform motion, NC and robot CPUs.

**Safety main base unit**

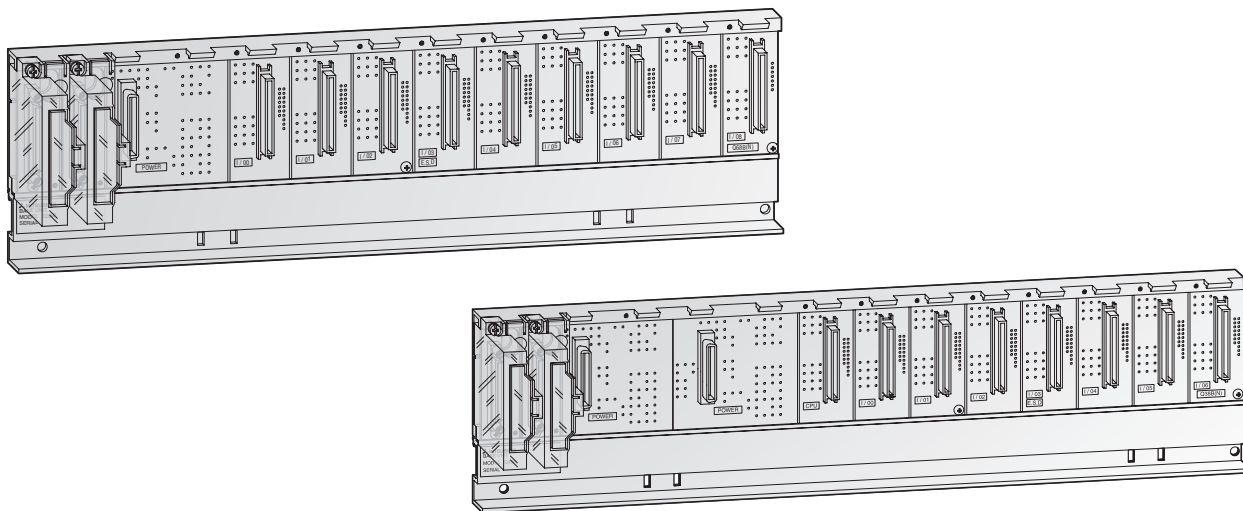
The safety main base unit holds and connects the Safety CPU and up to two CC-Link Safety Master Modules and Ethernet modules.

**Special features:**

- Automatic module addressing
- The base unit is mounted by means of screws or on a profiled rail with an integrated adapter.

Specifications	Q325B	
Slots for I/O modules	4	
Slots for power supply modules	1	
Internal power consumption (5 V DC)	0.095 A	
Installation	Provides installation holes for M4 screws.	
Dimensions (WxHxD)	mm	245x98x44.1
<b>Order information</b>	Art. no.	203206
<b>Accessories</b>	Connection cables (refer to page 56); adapter for DIN rail mounting (refer to page 60)	

**Extension Base Units**



**Extension base units**

The extension base units are connected to the main base unit by means of assembled bus cables. Thus, a MELSEC System Q can be expanded to max. 7 extension units with up to 64 I/O modules.

The extension units provide a slot for their own power supply module.

With the redundant type extension base unit Q65WRB, I/O modules can be directly connected to a redundant system.

The extension base unit QA1S51B is used to connect a module of the AnS series to the MELSEC System Q..

**Special features:**

- Q6\*B extension units provide a slot for their own power supply module
- A total of max.7 extension units can be connected to a main base unit with up to 64 I/O modules for a single system
- The maximum distance from the first to the last base unit is 13.2 m.
- Base units with slots for two redundant power supplies increase the availability of the system.

An extension base unit with a power supply module must be used in the following cases:

- If the power consumption of the inserted modules exceeds the capacity of the power supply module on the base unit.
- If the voltage drops below 4.75 V between the base unit and the extension unit.

Specifications	Q52B	Q55B	Q63B	Q65B	Q68B	Q68RB	Q612B	Q65WRB	QA1S51B	
Slots for power supply modules	—	—	1	1	1	2	1	1	—	
Slots for I/O modules	2	5	3	5	8	8	12	5	1	
Installation	All base units provide installation holes for M4 screws.									
Weight	kg	0.14	0.23	0.23	0.25	0.35	0.45	0.45	0.52	0.23
Dimensions (WxHxD)	mm	106x98x44.1	189x98x44.1	189x98x44.1	245x98x44.1	328x98x44.1	439x98x44.1	439x98x44.1	439x98x44.1	100x130x50.7
<b>Order information</b>	Art. no.	140376	140377	136370	129572	129578	157066	129579	210163	249092
<b>Accessories</b>	Connection cables (refer to page 56); adapter for DIN rail mounting (refer to page 60)									